

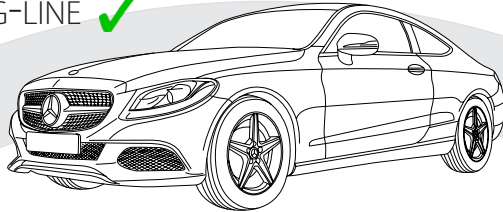


Mercedes C Coupé Phase I (type C205)
10/'15 - 06/'18

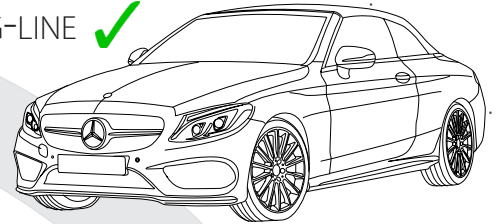
Mercedes C Coupé Phase II (type C205)
07/'18 -



- STANDARD ✓
- AMG-LINE ✓

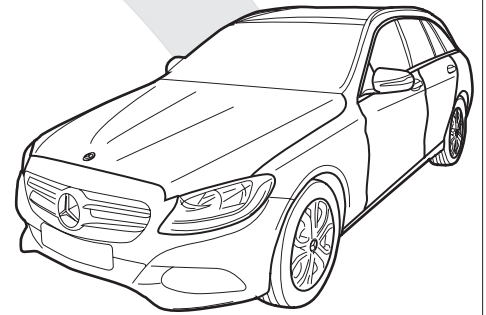
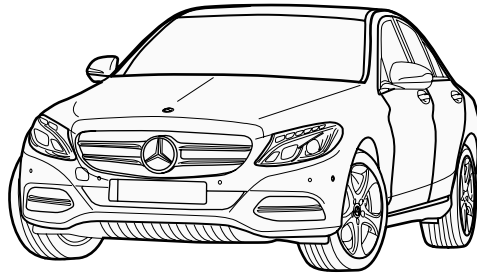


- + C Cabrio A205**
10/'16 -
- STANDARD ✓
 - AMG-LINE ✓



Mercedes C W205 + C Break S205
12/'13 - 09/'14 -

- STANDARD ✓
- AMG-LINE ✗
- PLUG-IN HYBRIDE ✓
- HYBRIDE ✓

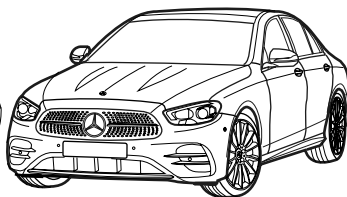
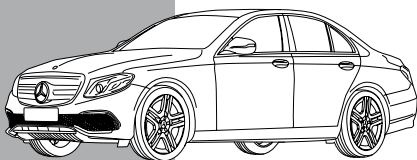


Mercedes E W213 + Facelift + E Break S213 + Facelift
04/'16 -05/'20 06/'20- 10/'16-06/'20 07/'20-

- STANDARD ✓
- AMG-LINE ✓
- ALL-TERRAIN ✓
- PLUG-IN HYBRIDE ✓

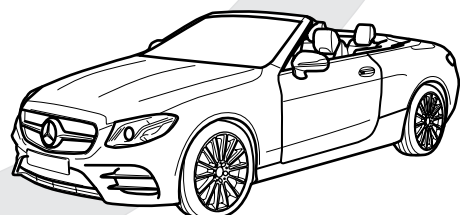
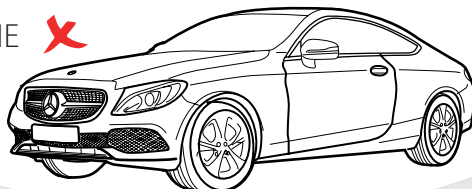
- STANDARD ✓
- AD BLUE ✓
- PLUG-IN HYBRIDE ✓
- HANDSFREE TAILGATE ✗

- STANDARD ✓
- AD BLUE ✓
- PLUG-IN HYBRIDE ✓
- HANDSFREE TAILGATE ✗



Mercedes E Coupé C238 + E Cabrio (A238)
12/'16 - 06/'17-

- STANDARD ✓
- AMG-LINE ✗



NL Belangrijke raadgevingen

Montage

- Voor de montage moet de trekhaak eerst op het voertuig gepresenteerd worden.

De belasting van een aanhangwagen en van een accessoire dat op de koppelingskogel wordt voorzien, zijn anders van aard. Voor beiden kunnen verschillende limieten van toepassing zijn. Hiervoor verwijzen we naar het instructieboekje van de wagen of naar uw concessiehouder.

FR Recommandations importantes

Montage

- Présenter l'attelage sous le véhicule avant d'effectuer le montage.

La charge d'une remorque ou d'un accessoire prévue sur la boule d'attelage, est de nature diverse. Pour ces deux éléments, il peut y avoir des limites d'utilisation. Nous vous recommandons de vous référer à votre livret d'instructions ou de vous renseigner chez votre concessionnaire.

GB General instructions

Fitting

- Present the towbar under the car first to check if all points are right.

The load of a trailer and of an accessory fitted on the towing ball are of a different nature. Different limits may apply to both. For this matter, we refer to the instruction manual of the vehicle or we advise you to contact your concessionaire.

D Wichtige ratschläge

Montage

- Erst die Anhängerkupplung und das Fahrzeug kontrollieren, danach montieren.

Die Belastung eines Anhängers und eines Zubehörs, die man auf einer Kupplungskugel voraussieht, ist wesentlich anders. Für beide gilt, dass diese unterschiedlich begrenzt sein können. Deswegen möchten wir verweisen auf die Bedienungsanleitung des Fahrzeugs oder auf Ihren Vertragshändler.

E Instrucciones generales

Montaje

- Presentar el enganche debajo del vehículo antes de realizar el montaje.

La carga de un remolque y un accesorio montado en una bola de remolque son de una naturaleza diferente. Se pueden aplicar diferentes límites a ambos. Para este asunto, nos referimos al manual de instrucciones del vehículo o le recomendamos que contacte a su distribuidor.

DK Generelle instruktioner

Montering

- Præsenter trækstangen under bilen først for at kontrollere, om alle punkter er rigtige.

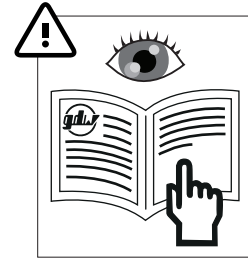
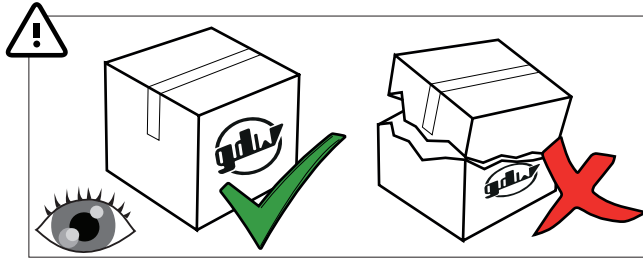
Belastningen af en trailer og af tilbehør tilkoblet anhængertrækket er forskellige. Der kan være forskellige begrænsninger på begge. I disse tilfælde henviser vi til bilens manual, eller anbefaler dig at kontakte bilforhandleren

IT Consigli importanti

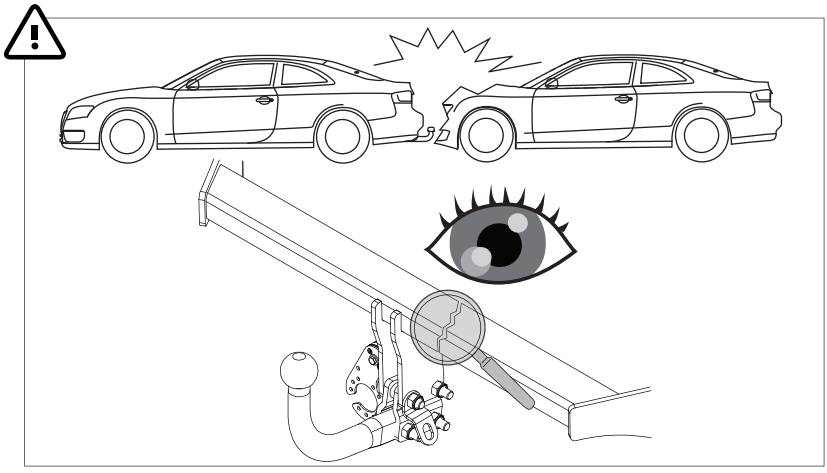
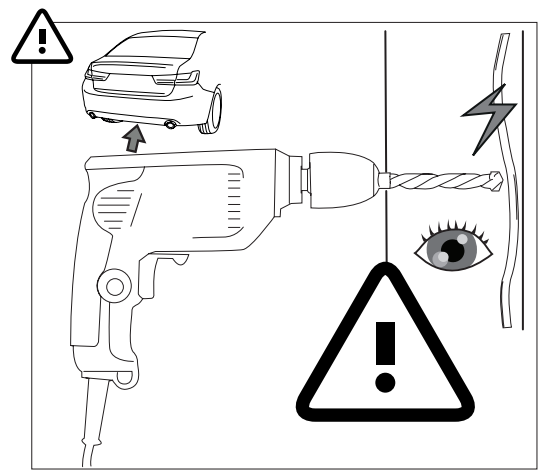
Montaggio

- In primo luogo, presentare la struttura sotto l'automobile per verificare che tutti i punti di attacco coincidano.

La massa rimorchiabile del veicolo potrebbe essere diversa dal valore riportato sul documento del gancio di traino. Per questo motivo, vi invitiamo a consultare sempre la carta di circolazione del veicolo (Pos. O.1) o a rivolgervi alla vostro concessionario di fiducia



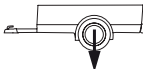


gdw
+32 56 62 77 79
helpdesk@gdwtowbars.com

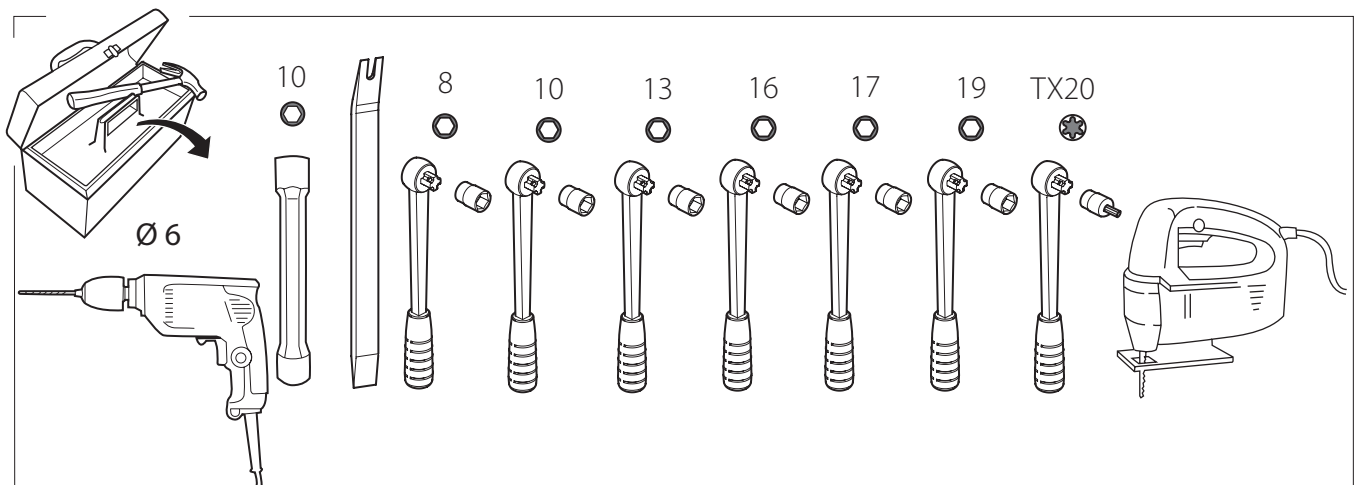
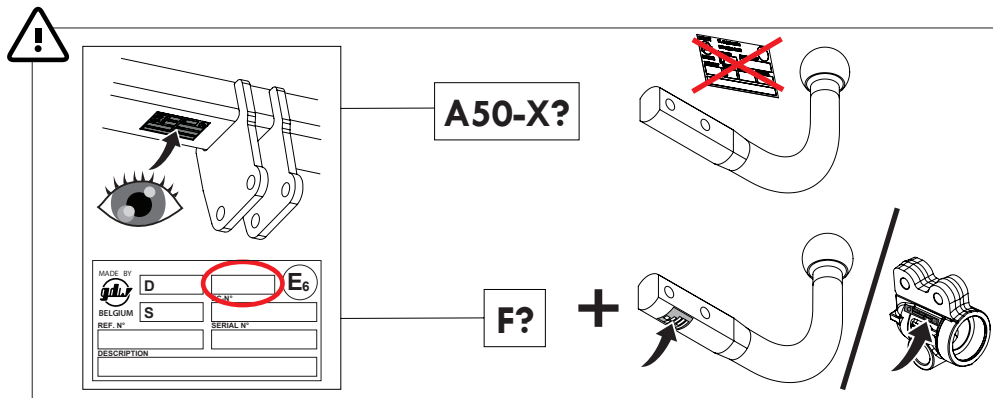
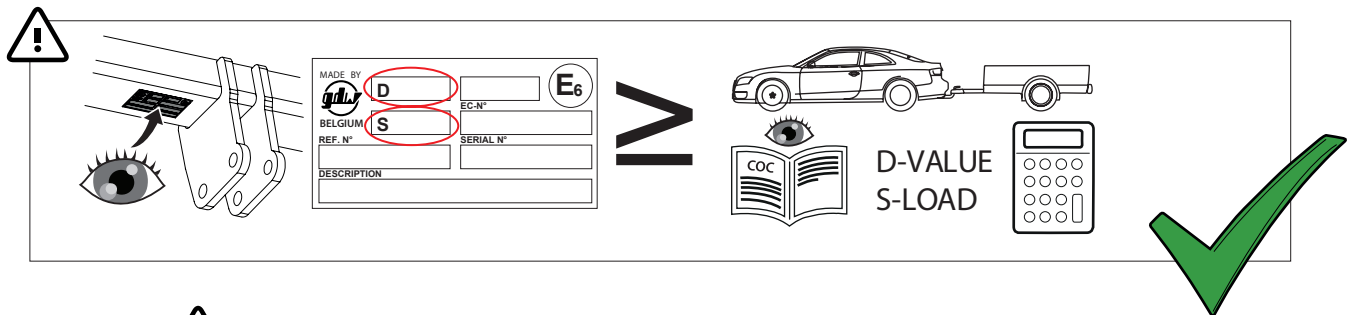
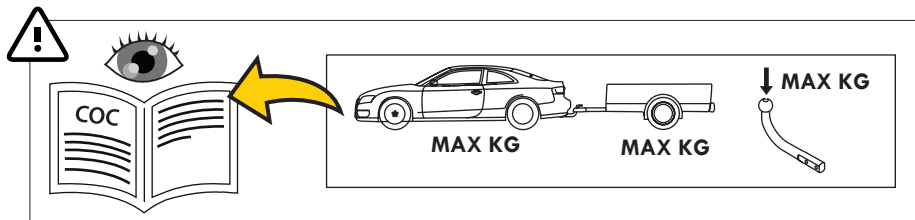


1 0 km + 1000 km
2
3 GREASE

~~1-XXX-XXX~~
~~Headlight~~
Car on trailer → Tow bar application

<p>MADE BY  BEELGIUM REF N° 2187T60</p>	<p>D 11,90</p>	<p>F</p>	<p>E6</p>	<p>!</p> <p>D =</p> $\frac{\text{max kg (car)} \times \text{max kg (trailer)}}{\text{max kg (car)} + \text{max kg (trailer)}} \times 0.00981 \leq 11,90 \text{ kN}$ <p>S =</p> <p> ≤ 115 kg  ≤ 2100 kg</p>
<p>DESCRIPTION Mercedes C W205 + S205 + C205 + A205 Mercedes E W213 + S213 + C238 + A238</p>	<p>S 115</p>	<p>EC-N° 55R-01 1589</p>	<p>SERIAL N° XXXX</p>	

See the Certificate Of Conformity (COC) of your vehicle or contact your dealer to verify the max. trailer weight of your car!



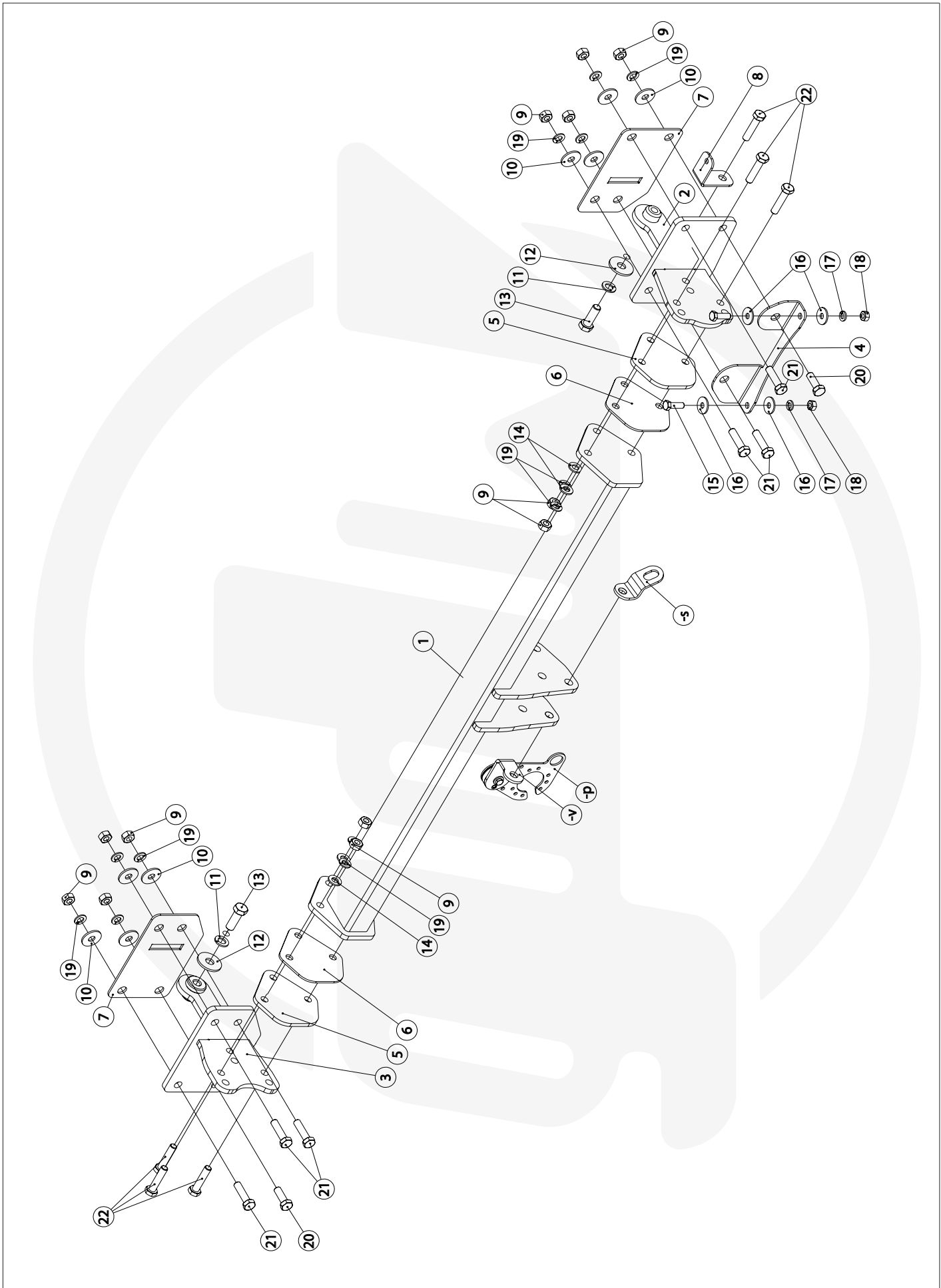


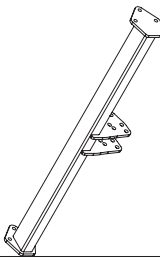
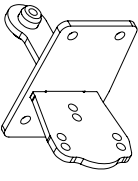
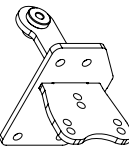
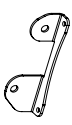
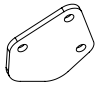


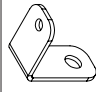
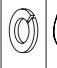
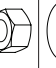
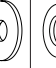

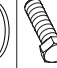


helpdesk@gdwtowbars.com


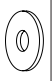

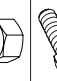




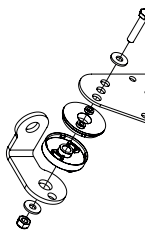
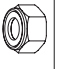



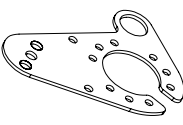

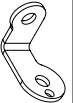
+32 56 62 77 79

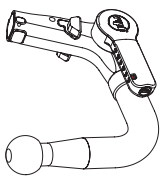

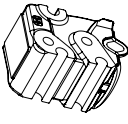


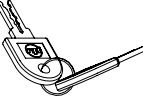

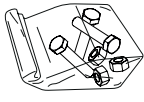

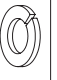


Monday	08:00 - 12:00	12:30 - 16:30
Tuesday	08:00 - 12:00	12:30 - 16:30
Wednesday	08:00 - 12:00	12:30 - 16:30
Thursday	08:00 - 12:00	12:30 - 16:30
Friday	08:00 - 12:00	12:30 - 15:30



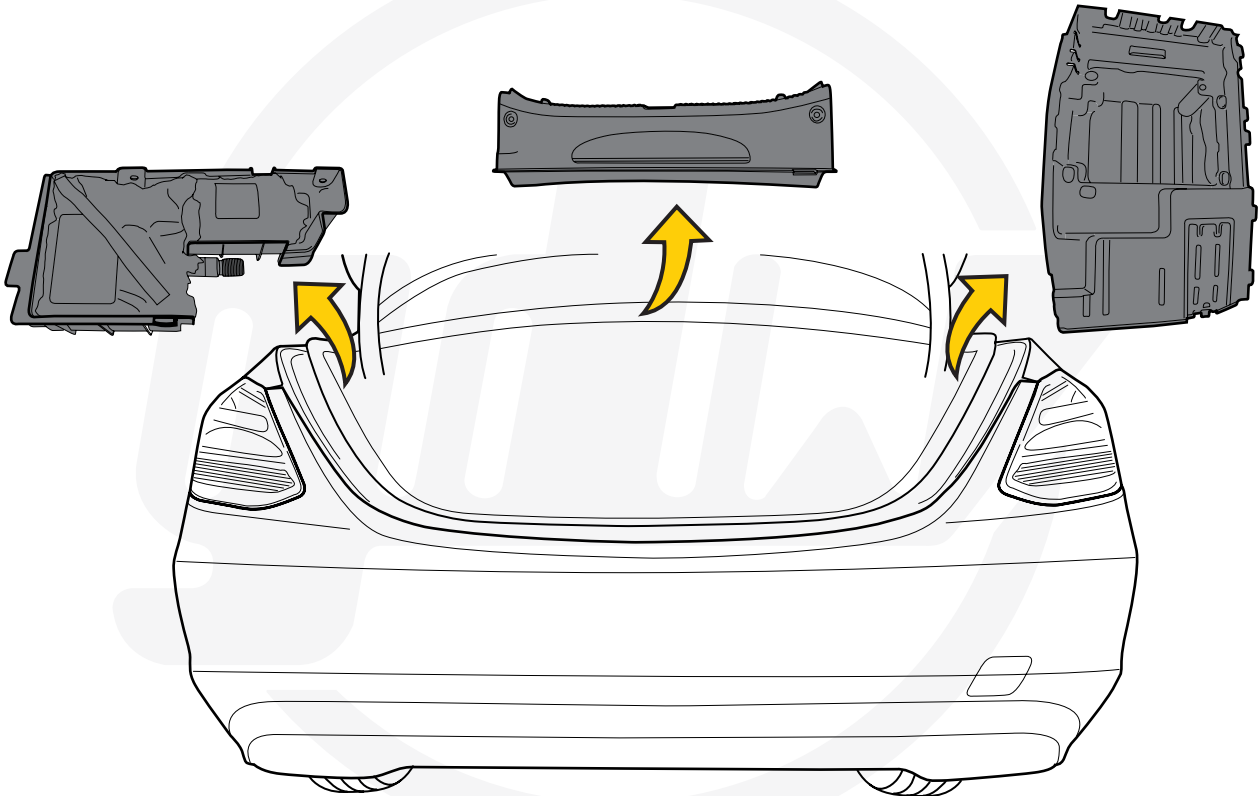


1		X1	GDW REF. 2187160
2		X1	GDW REF. 2
3		X1	GDW REF. 3
4		X1	GDW REF. 4
5		X1	GDW REF. 5 (6 MM)
6		X2	GDW REF. 6 (3 MM)
7		X2	GDW REF. 7
8		X1	GDW REF. 2187160-100 (ONLY FOR PLUG-IN HYBRID)
9		X14	DIN128A-M10
10		X14	DIN934-M10
11		X8	DIN9021-M10-ELVZ
12		X2	DIN128A-M12
13		X2	DIN9021-M12-ELVZ
14		X2	DIN961-M12X35X1.5
15		X6	DIN125-A10-14OHV-ELVZ

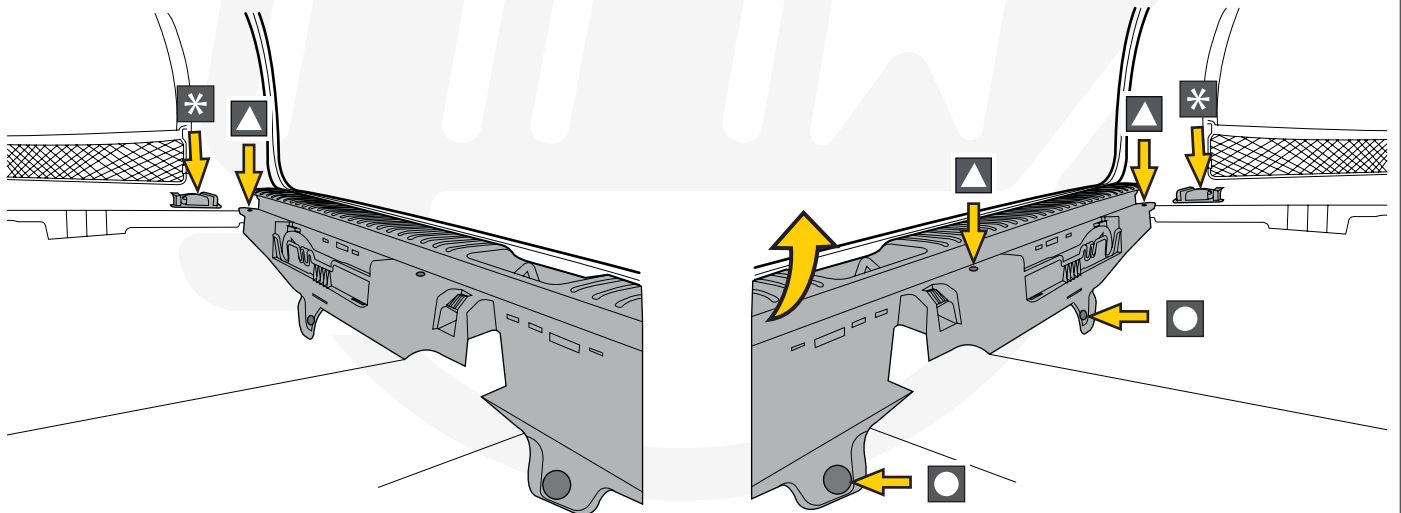
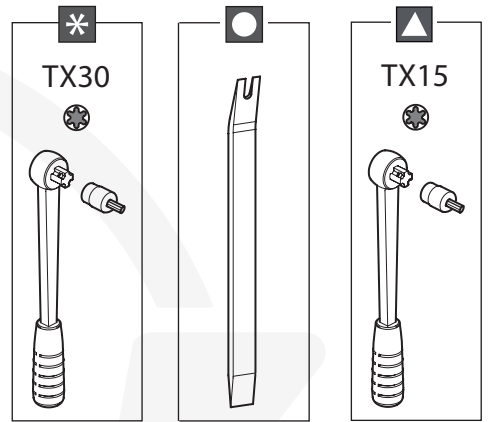
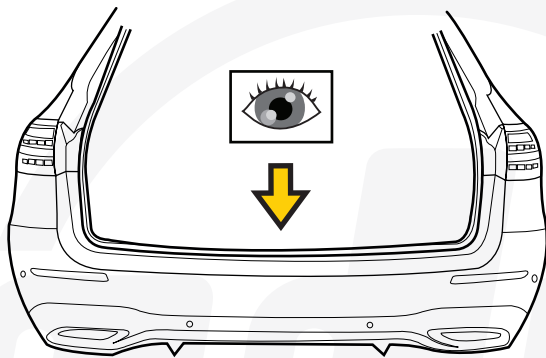
16		X2	DIN933-M8X25
17		X4	DIN9021-M8-ELVZ
18		X2	DIN128A-M8
19		X2	DIN934-M8
20		X2	DIN933-M10X30
21		X6	DIN933-M10X40
22		X6	DIN933-M10X45
-5		X1	GDW REF. 900.053
-P		X1	GDW REF. P40
↳		X1	DIN985-M6
↳		X2	6,2 X 15,4 X 1,6 (NYLON)
↳		X1	GDW REF. 718.16.002
↳		X1	GDW REF. 718.16.003
↳		X1	GDW REF. 908.094
↳		X1	DIN933-M6 X 30
↳		X1	GDW REF. 5

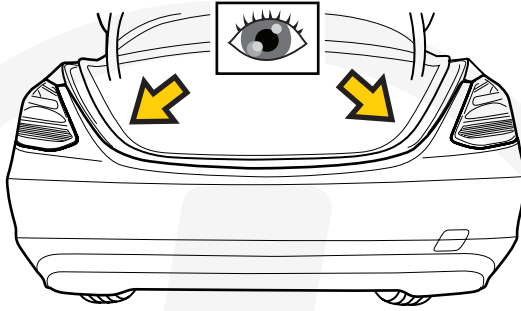
Geleverd met - Livré avec - Delivered with Geliefert mit - Elementos adjuntos - Leverages med		X1	GDW REF. 960.V0808
	↳ 	X1	GDW REF. 740.200
		X1	GDW REF. 912.003
	↳ 	X1	GDW REF. 740.112
	↳ 	X1	GDW REF. 740.111
		X1	GDW REF. 740.12X X= LAST NUMBER ON KEY
		X1	GDW REF. 718.15.001
		X1	GDW REF. SYST60-10
	↳ 	X3	DIN931-M12X110-8.8
	↳ 	X3	DIN128A-M12
	↳ 	X6	DIN125A-M12
	↳ 	X3	DIN934-M12

1

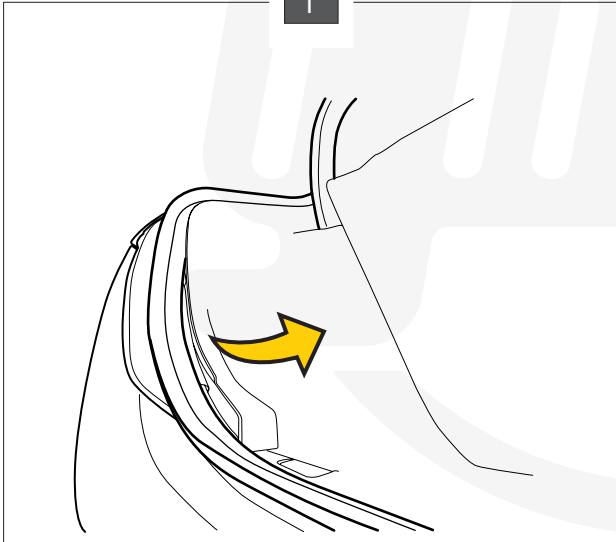


2 Only for S213 07/'20-

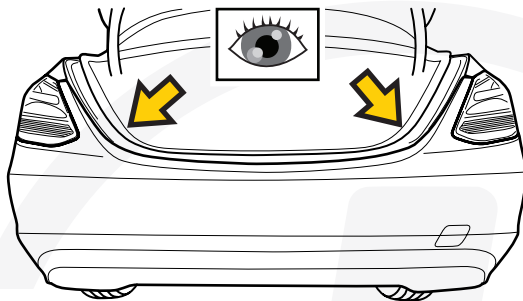
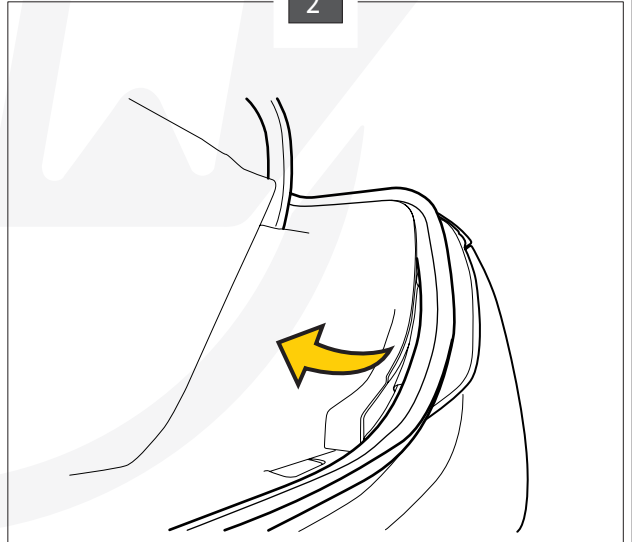




1

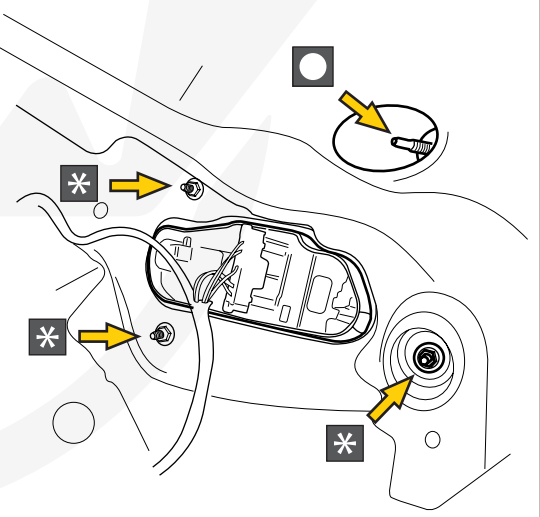
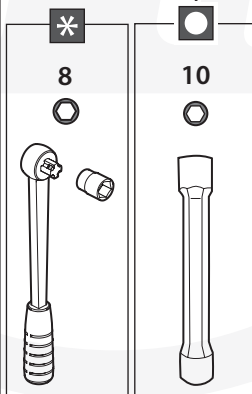
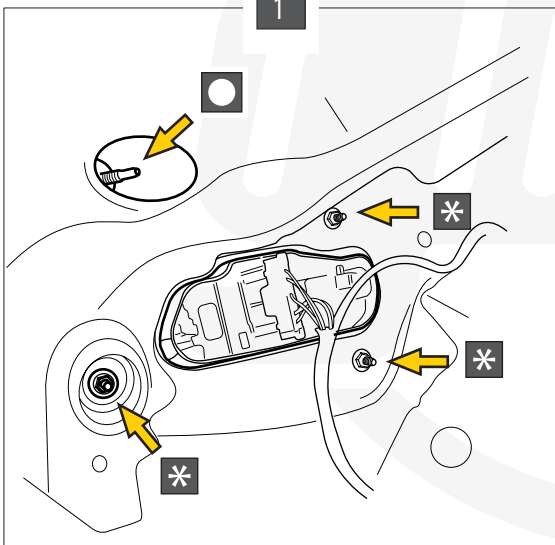


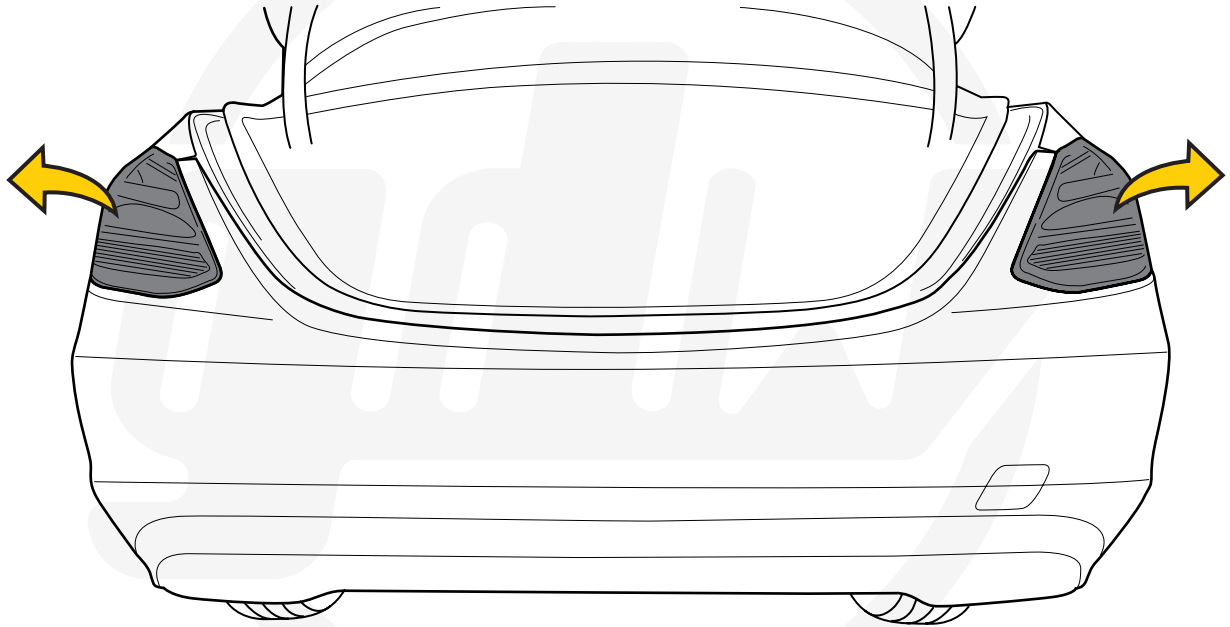
2



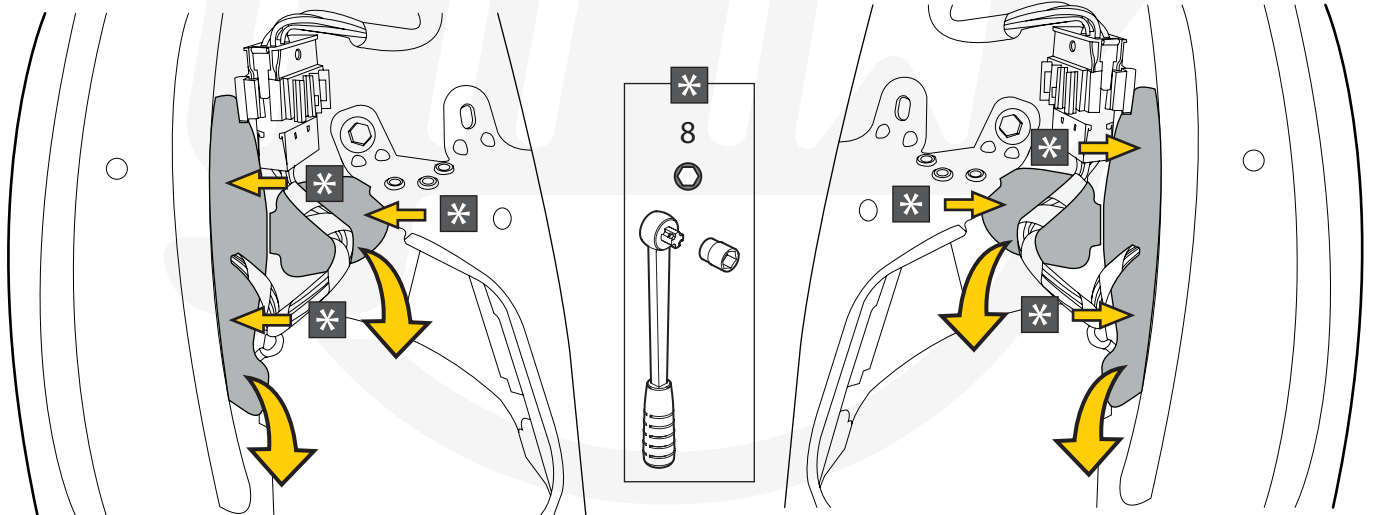
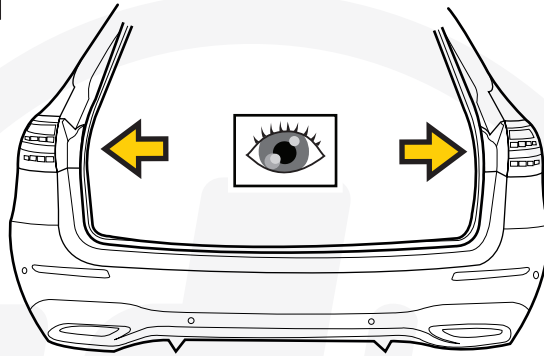
Only for W205/S205

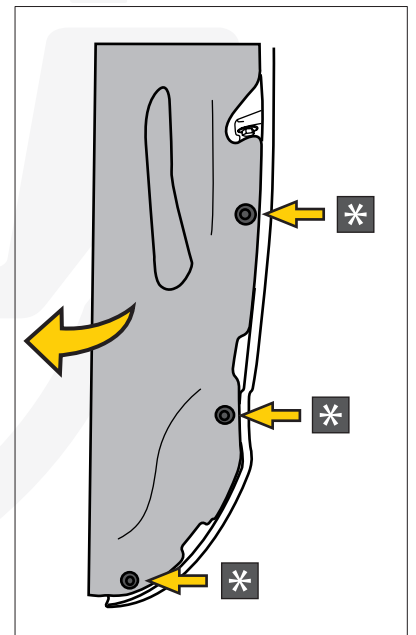
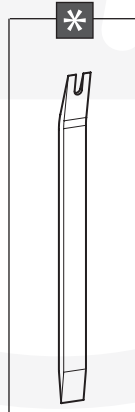
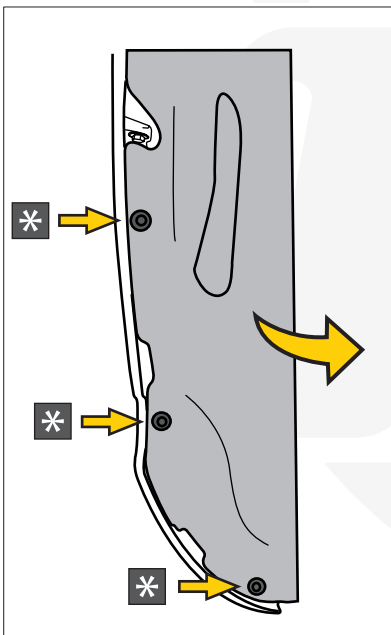
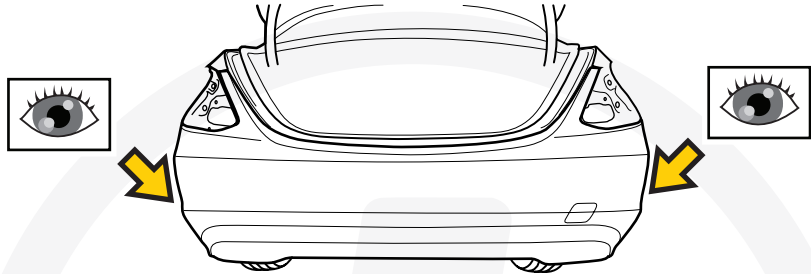
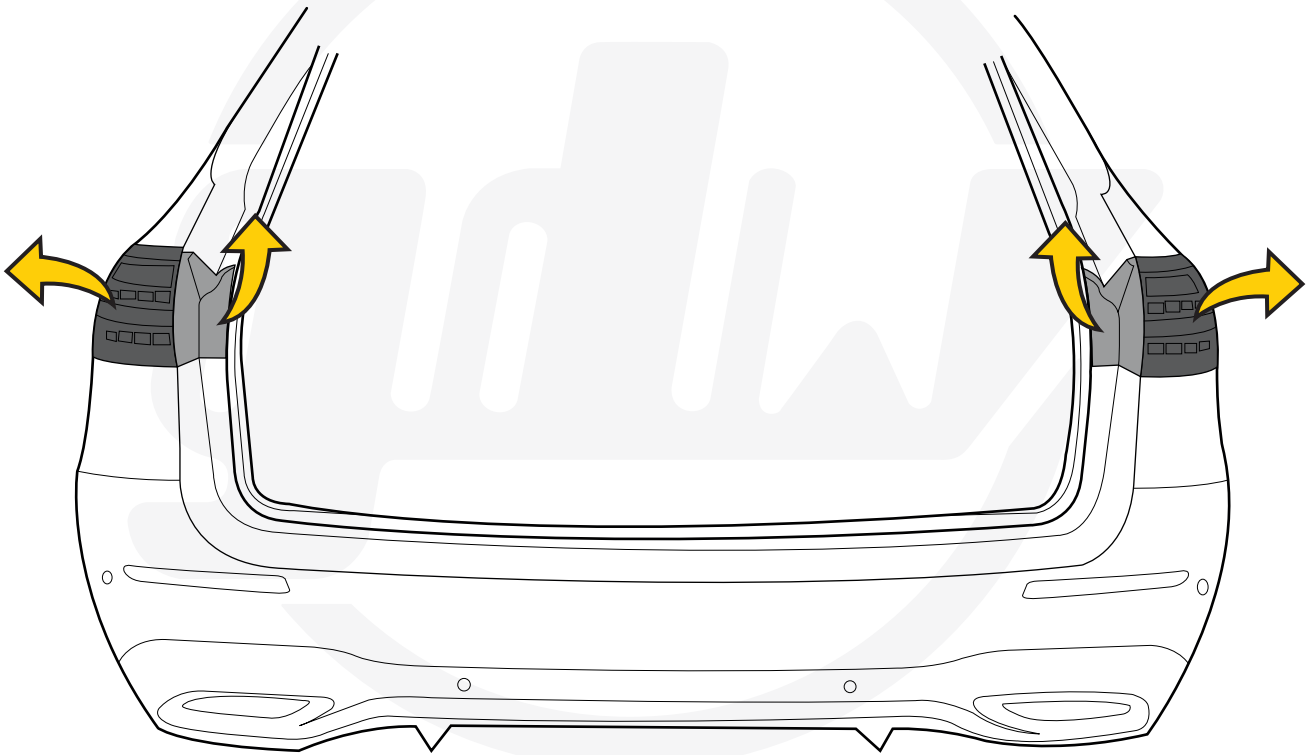
1



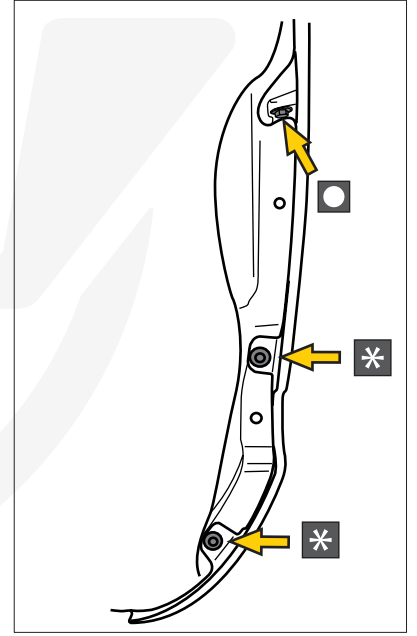
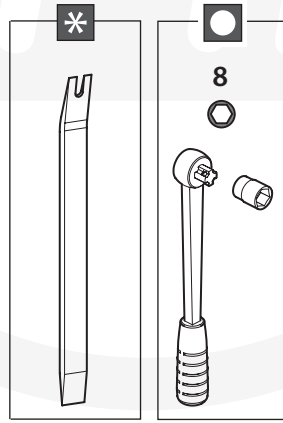
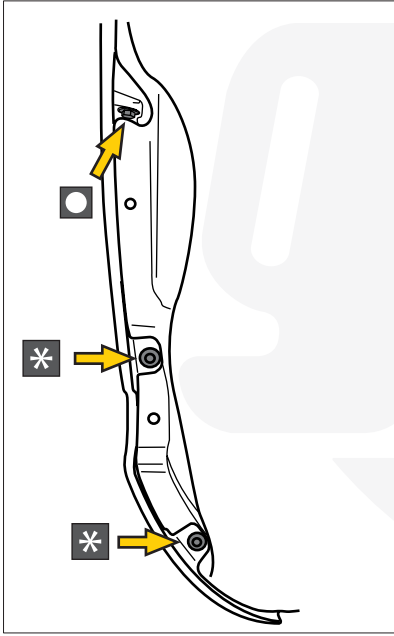
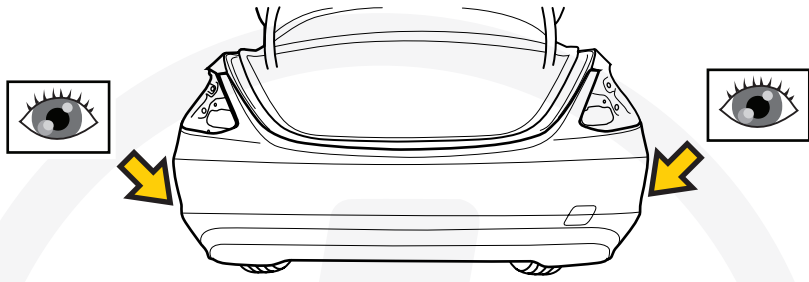


6 Only for S213 07/'20-

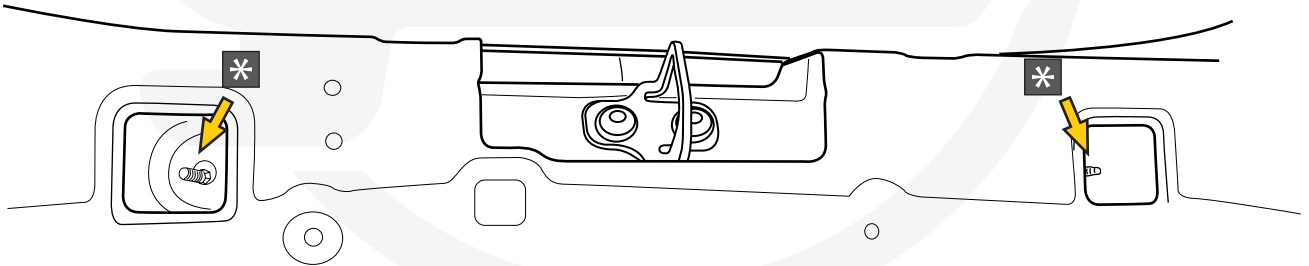
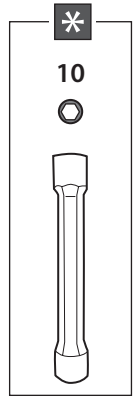
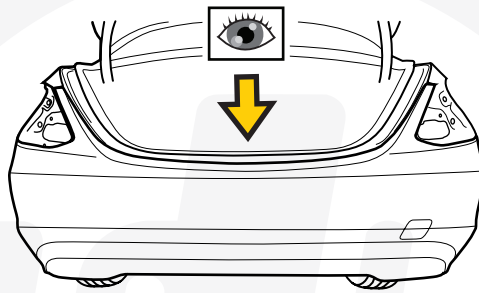




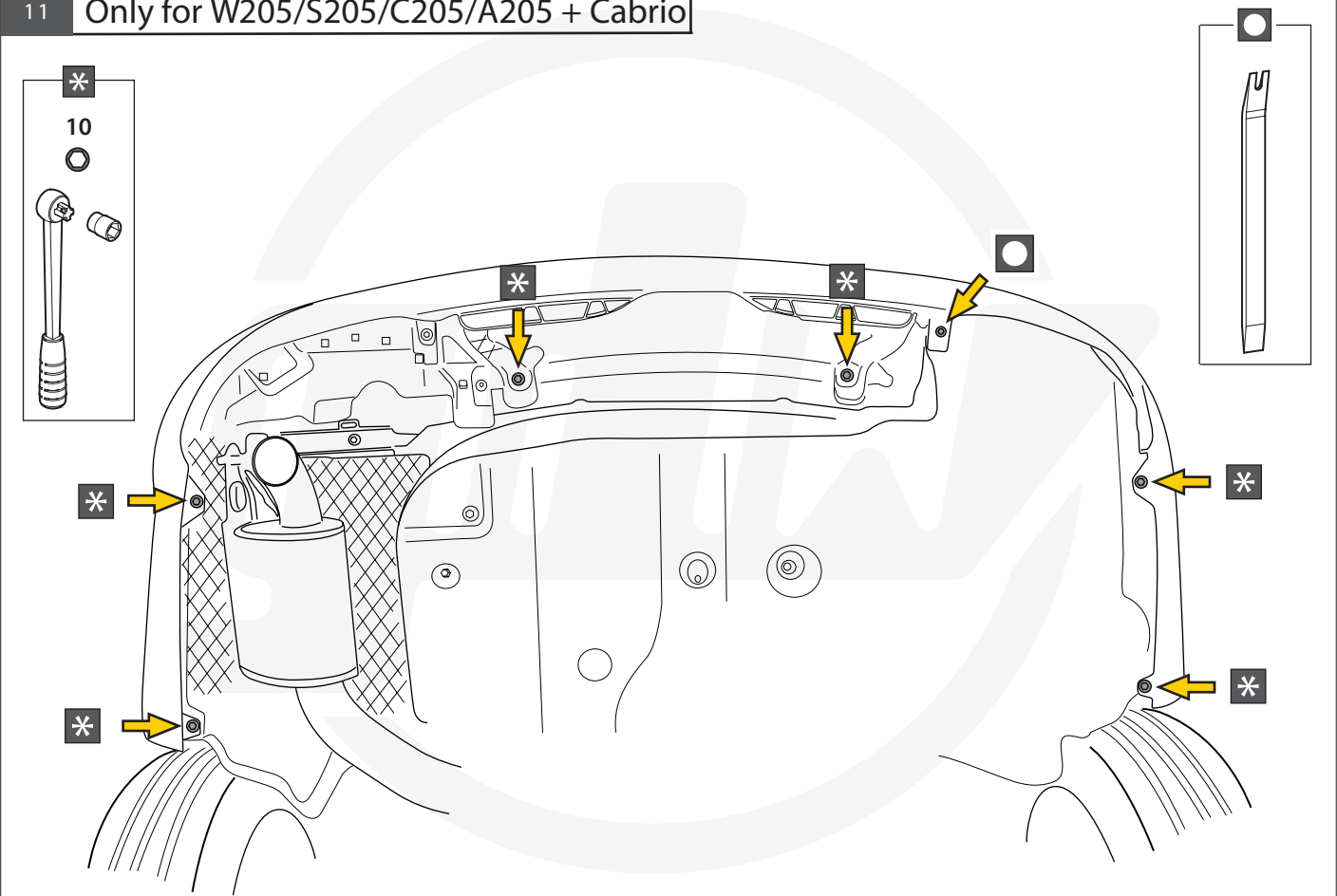
9



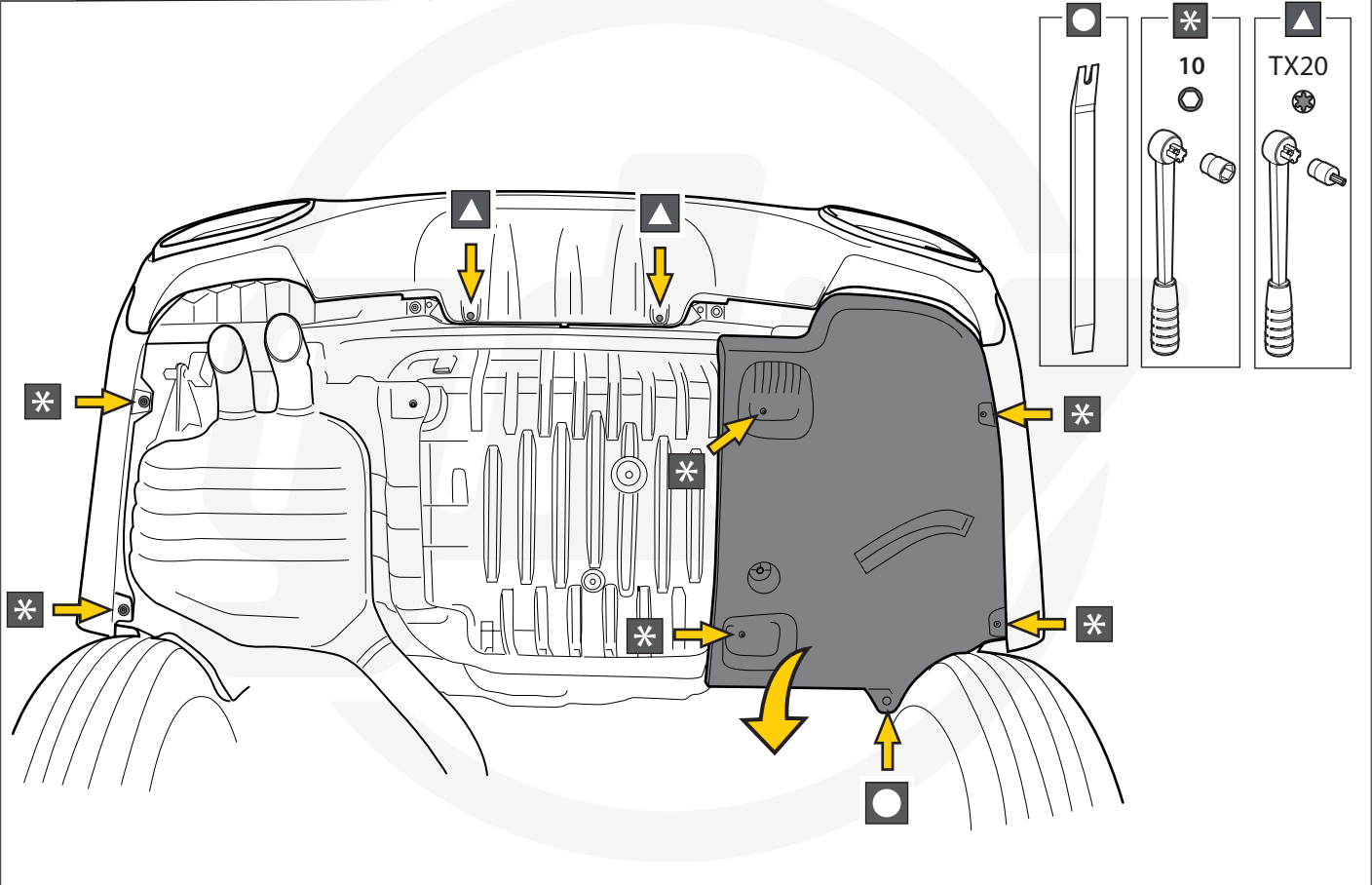
10



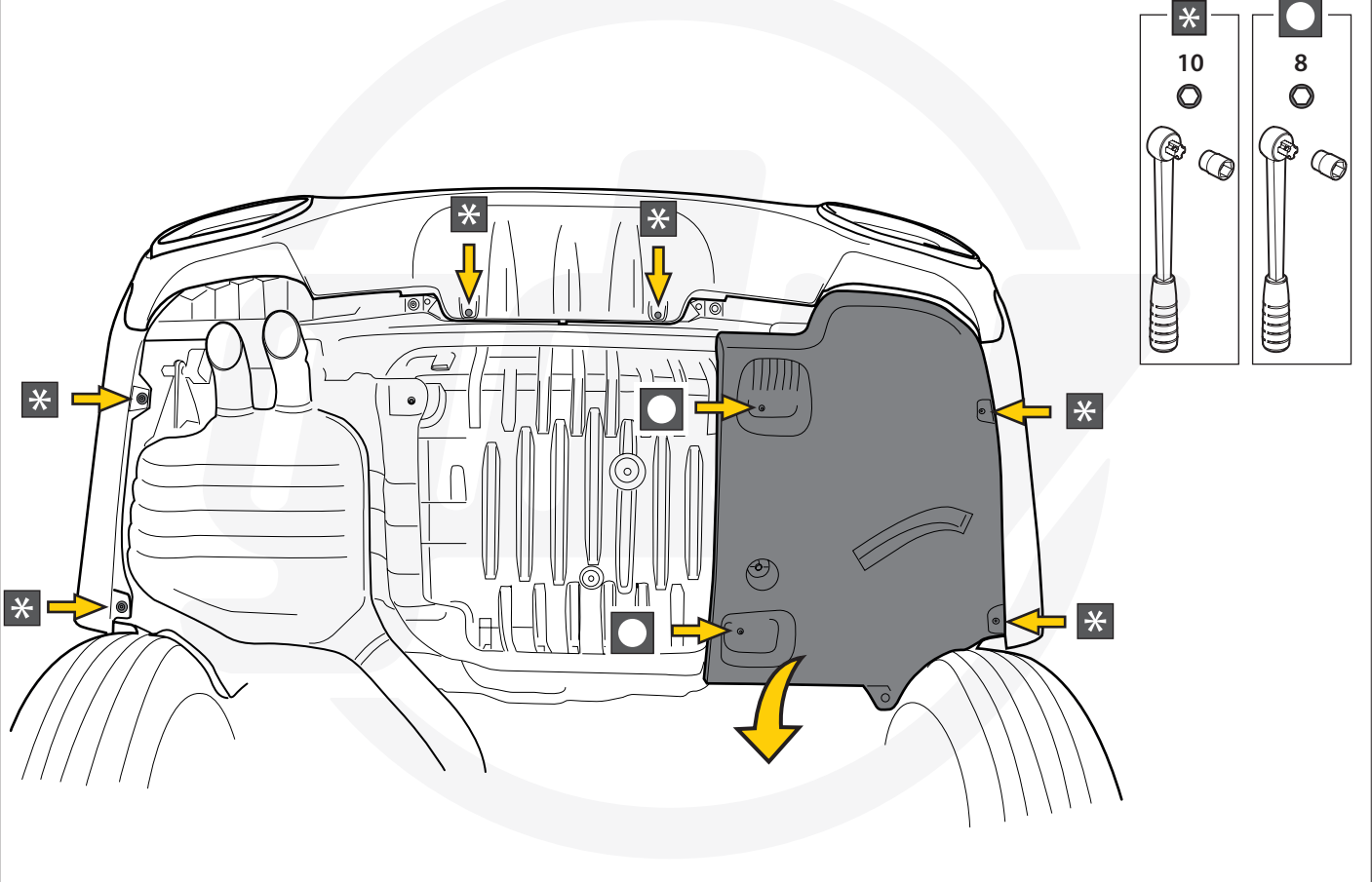
11 Only for W205/S205/C205/A205 + Cabrio



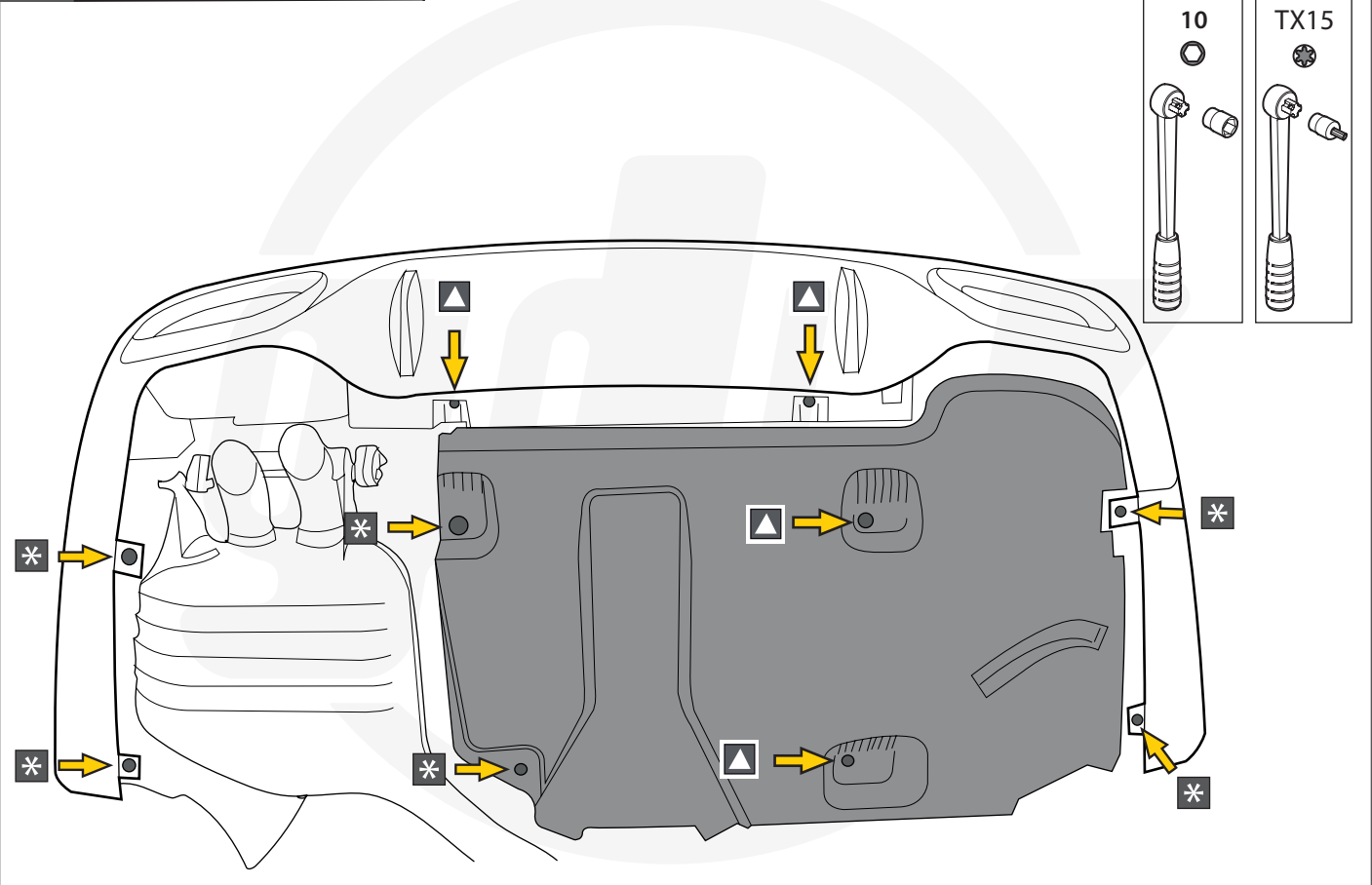
12 Only for W213 & S213



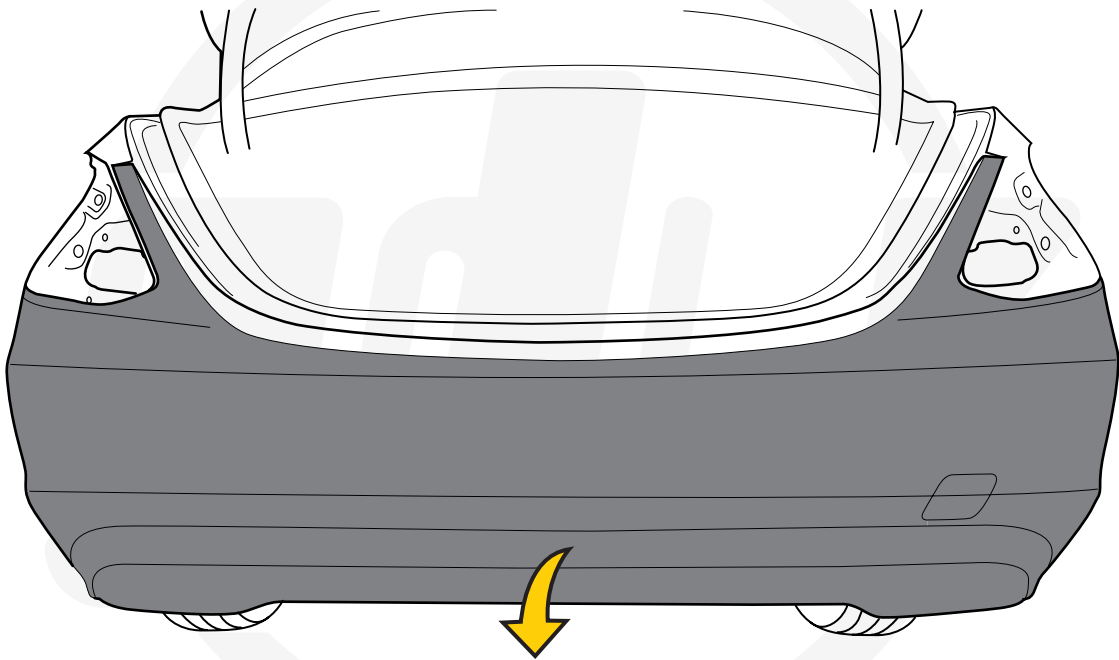
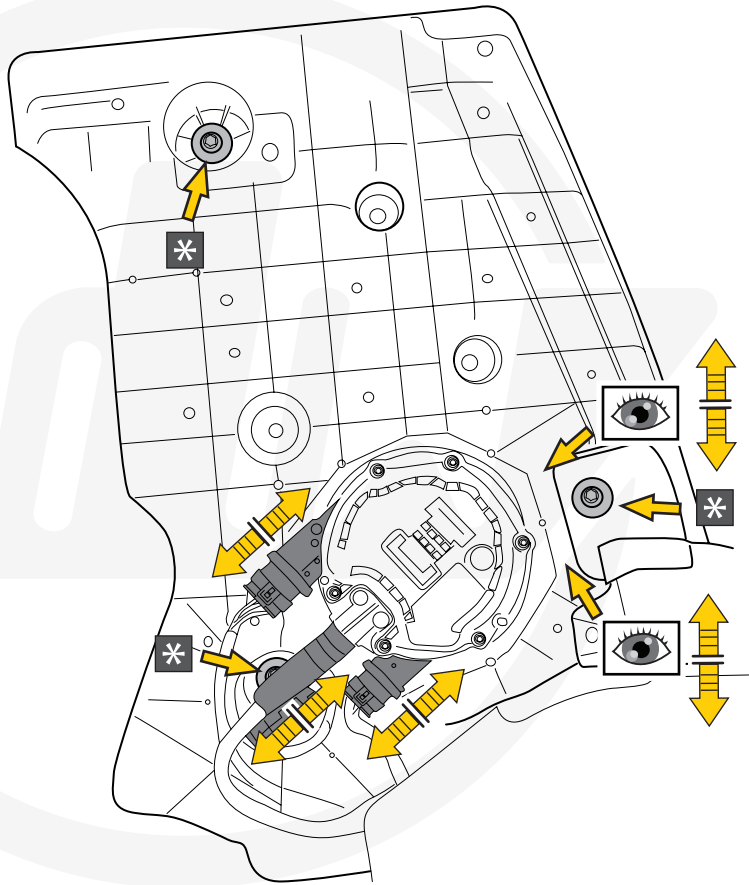
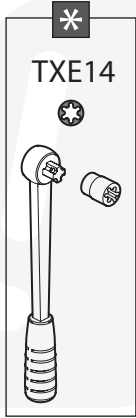
13 Only for W213 06/'20-



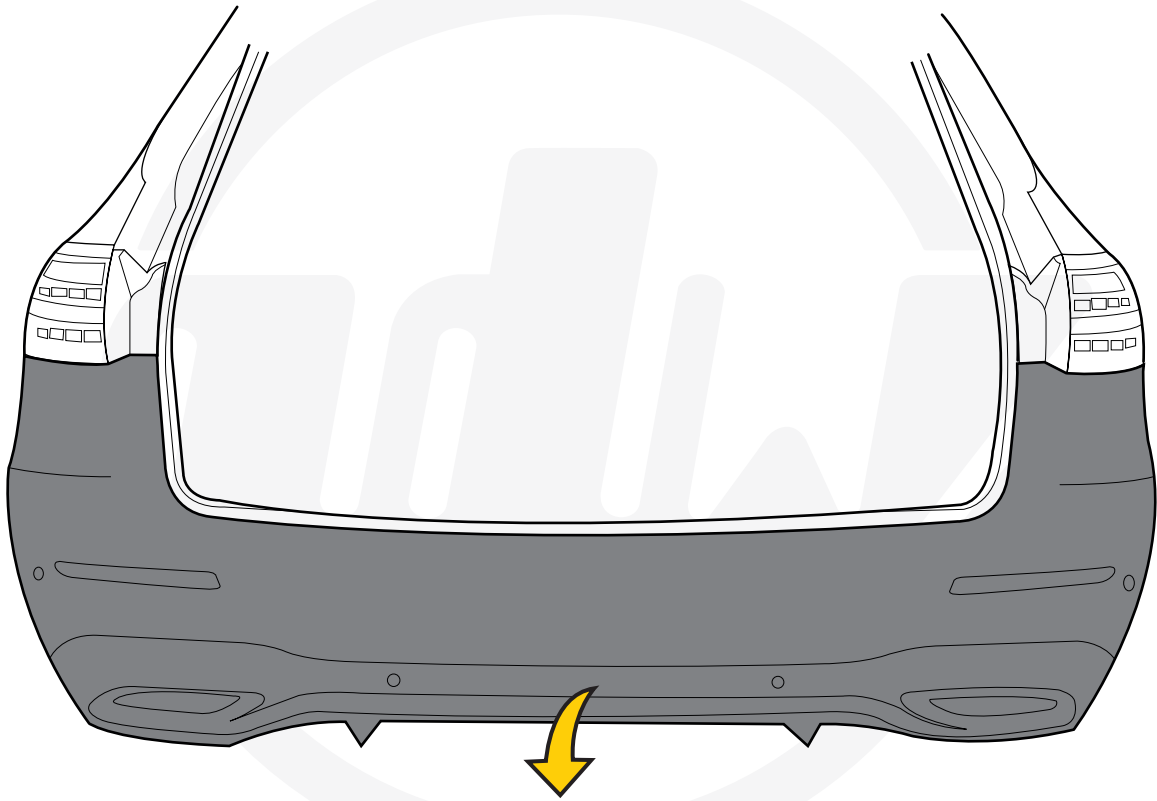
14 Only for S213 07/'20-



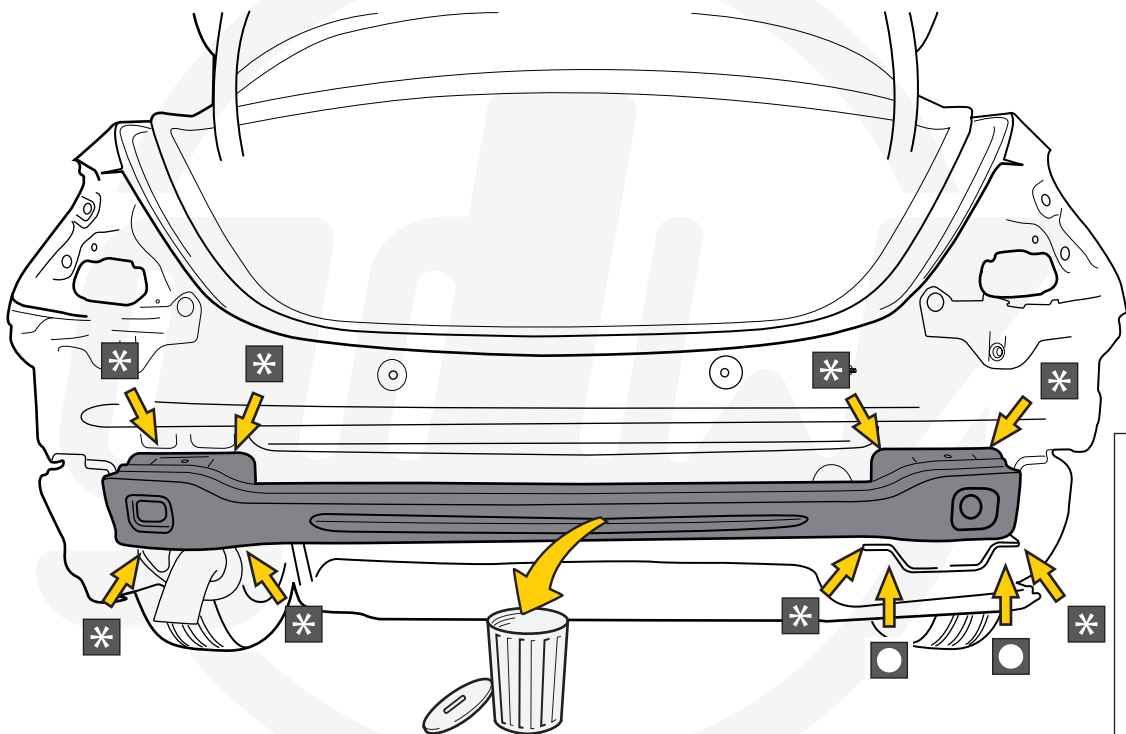
AD BLUE



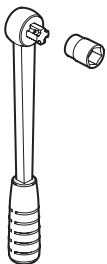
17 Only for S213 07/'20-



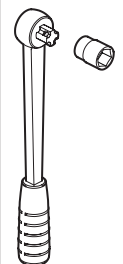
18 Only for W205/S205/C205/C238/A238



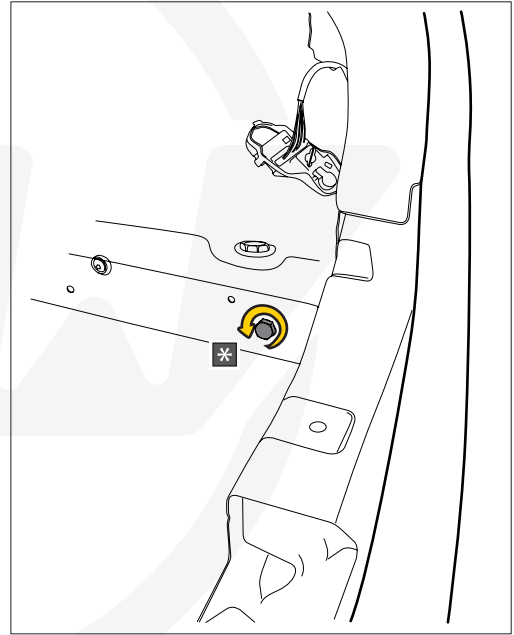
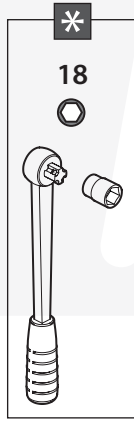
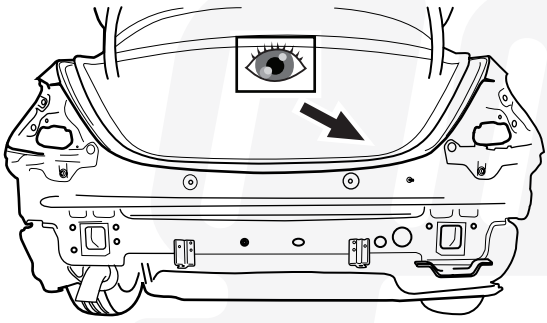
16



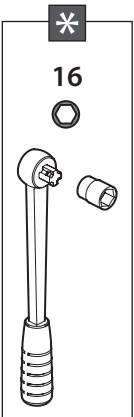
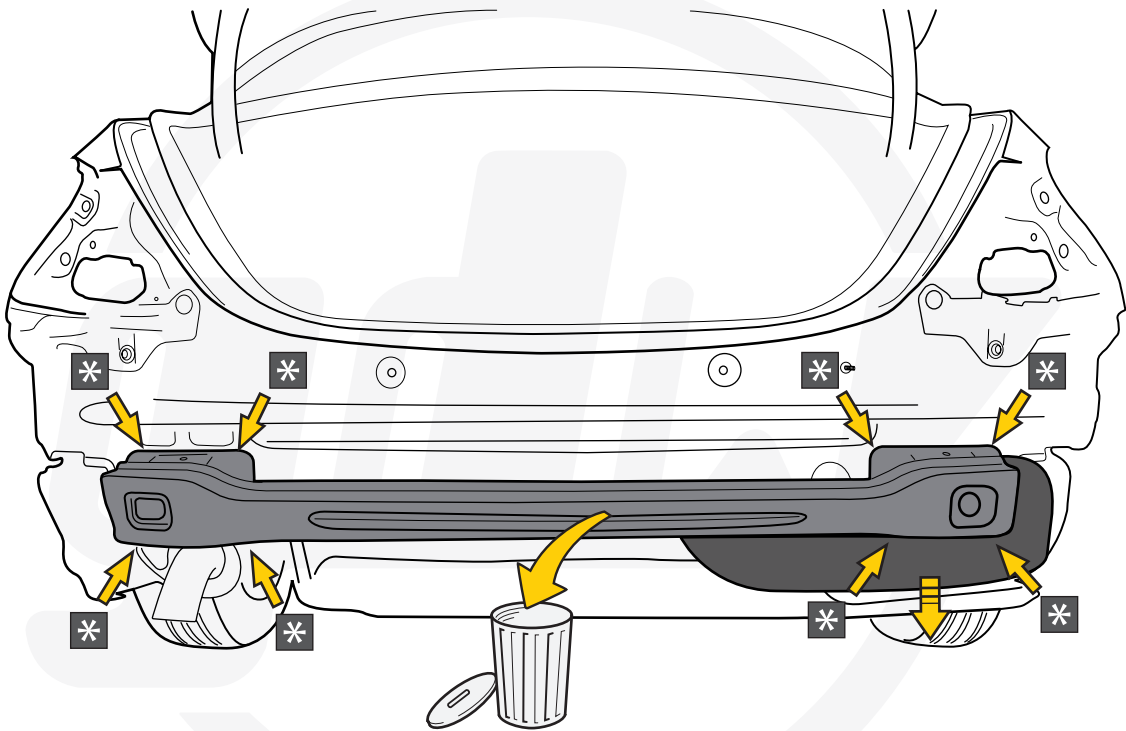
13



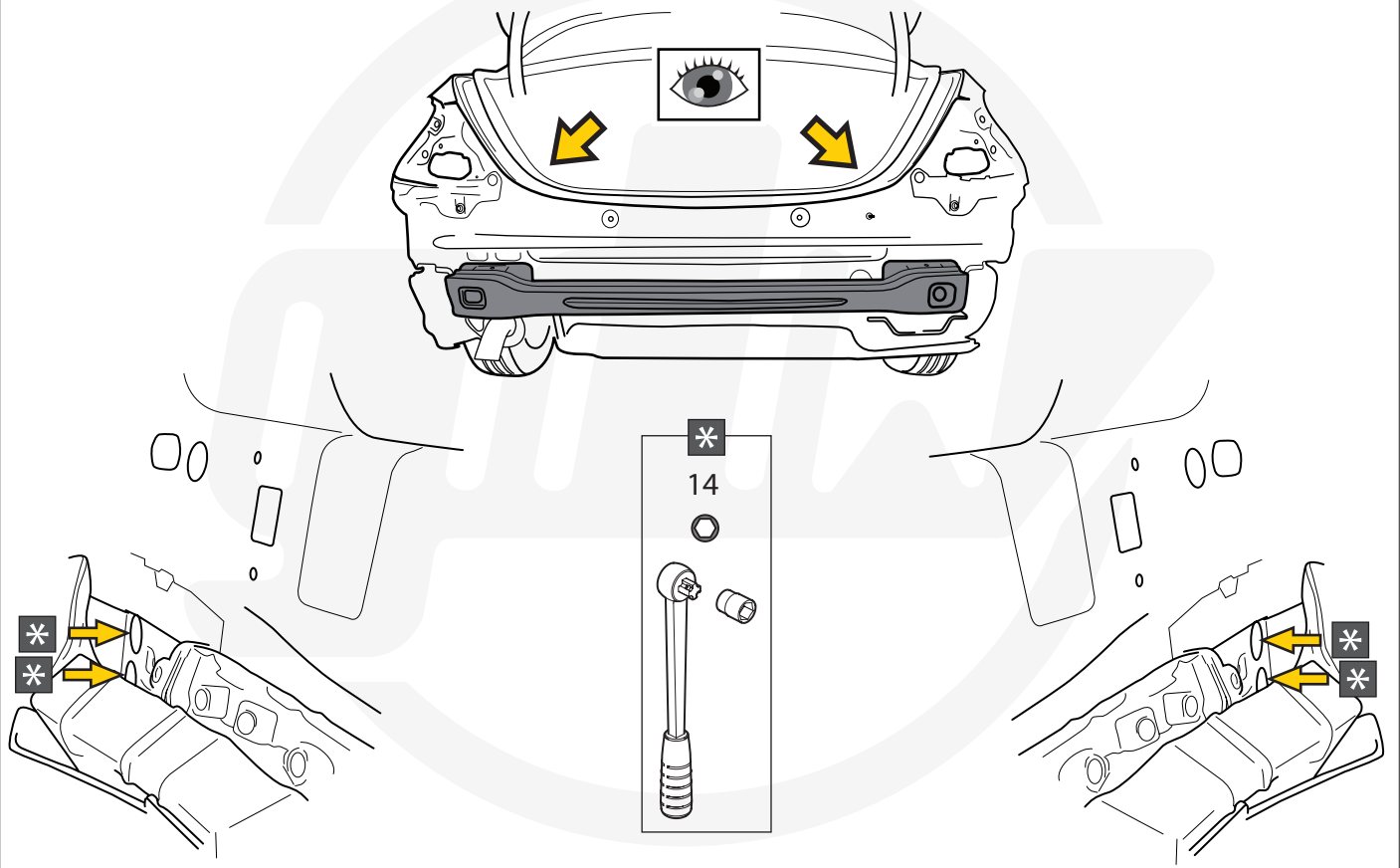
19 Only for C238/A238



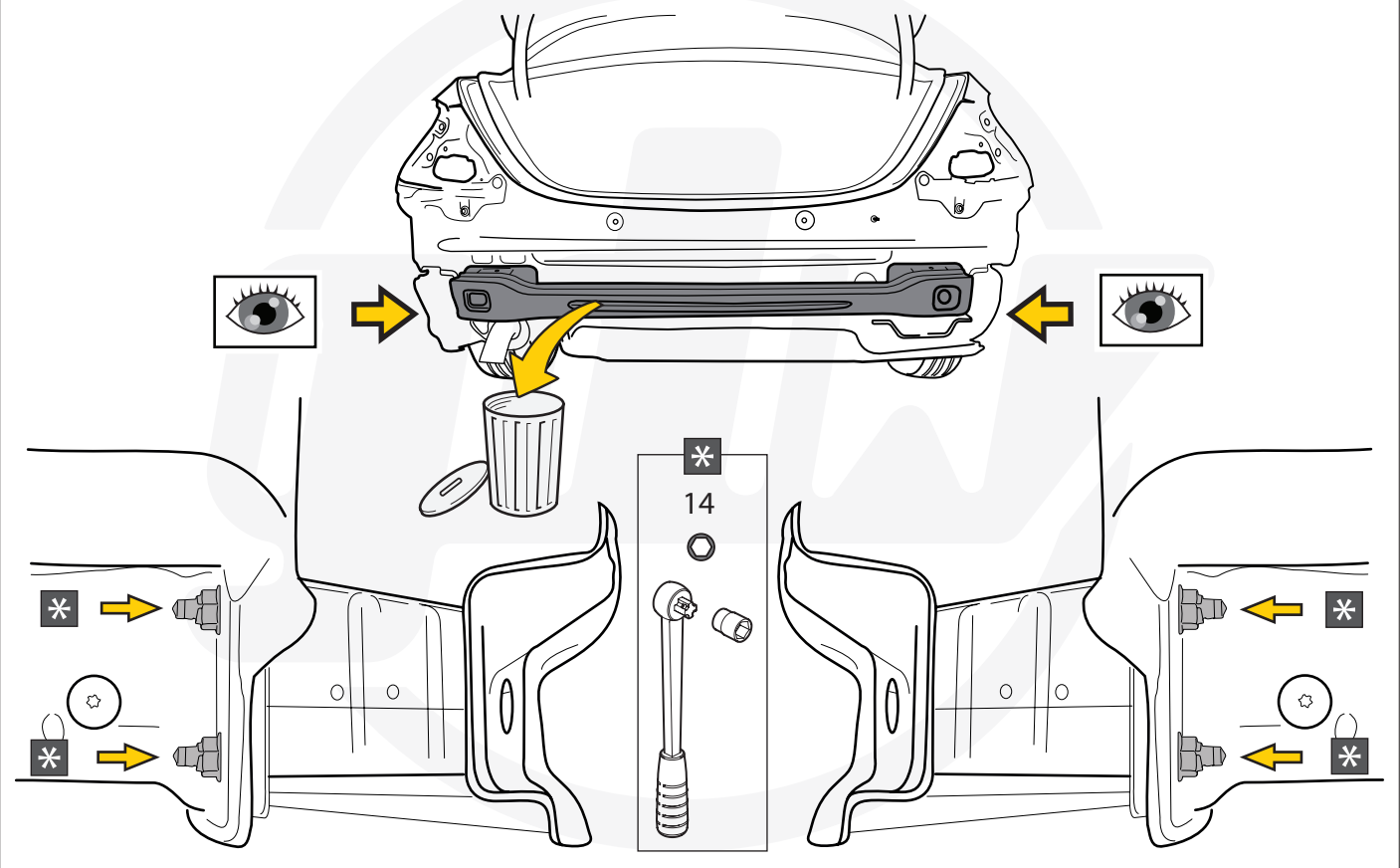
20 Only for W213 + S213 + A205 Cabrio



21 Only for W213 06/'20- + S213 07/'20-

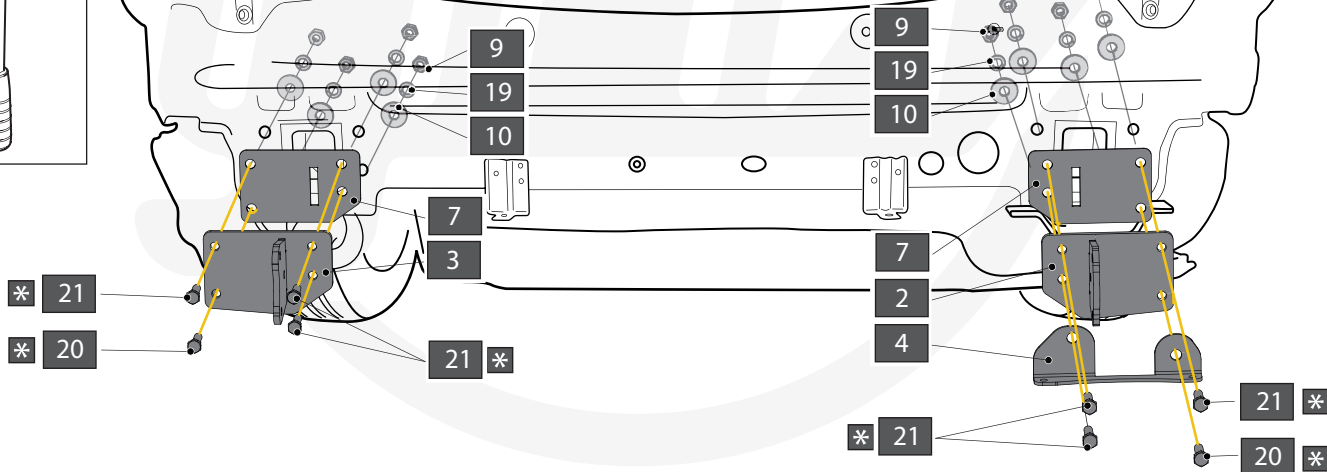
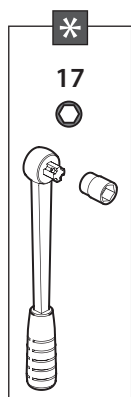


22 Only for W213 06/'20- + S213 07/'20-



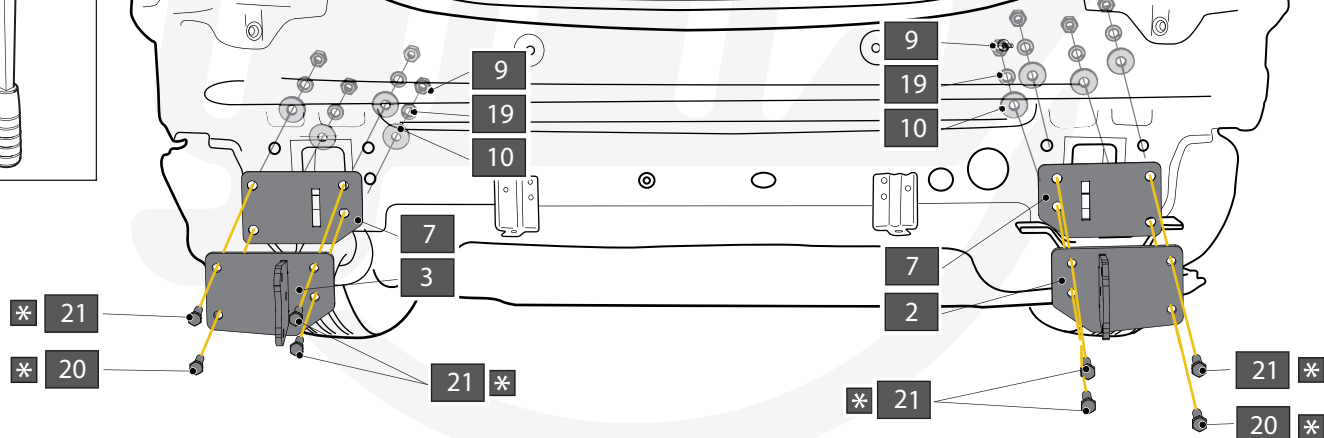
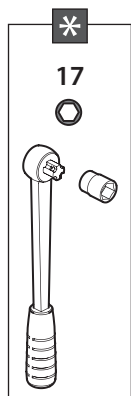
23 Only for W205/S205/C205/C238/A238

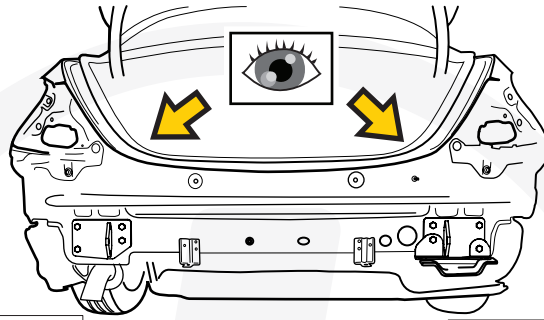

54,0 Nm



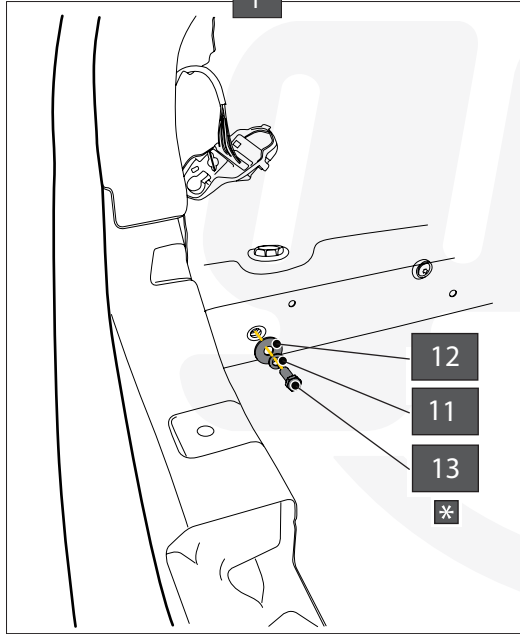
24 Only for W213 & S213


54,0 Nm

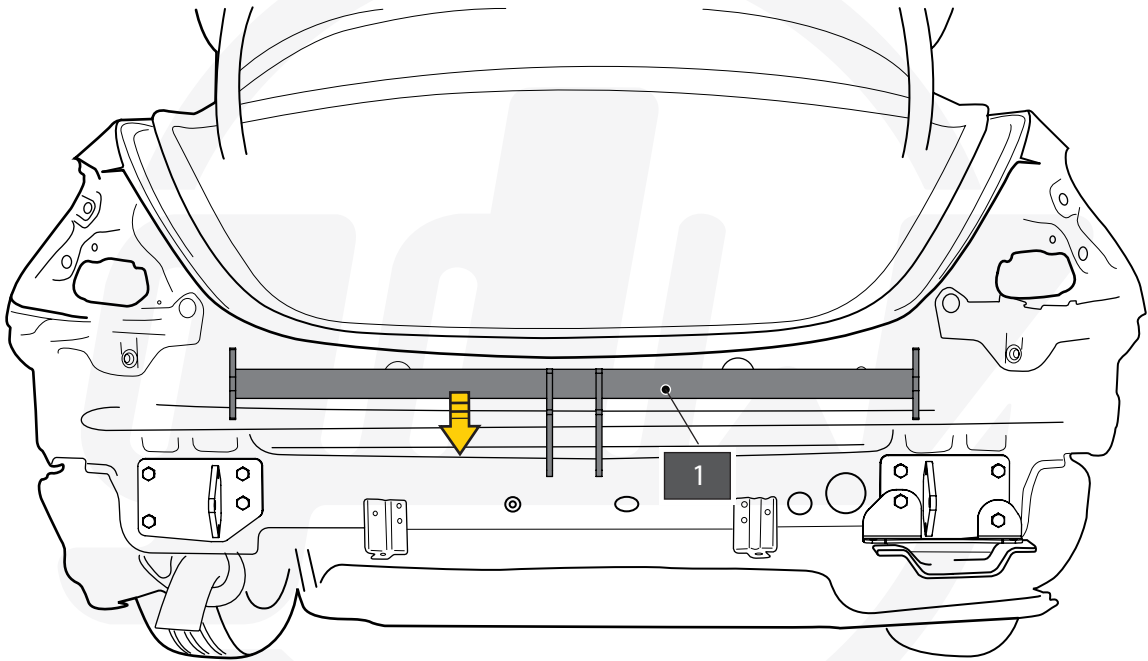
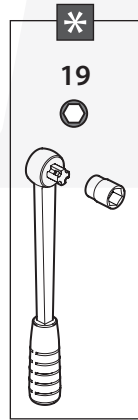
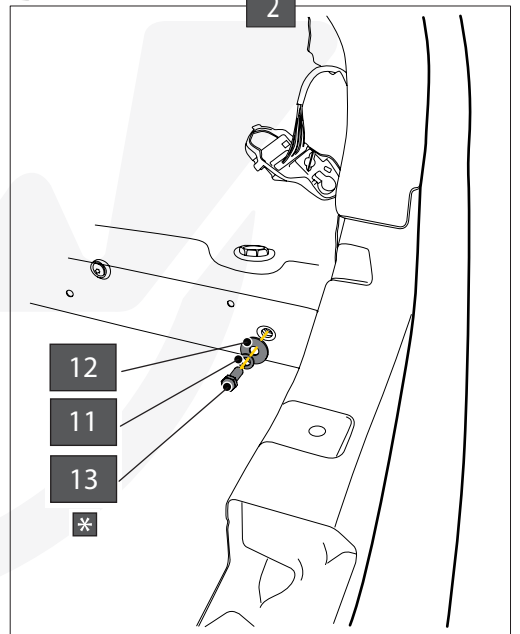




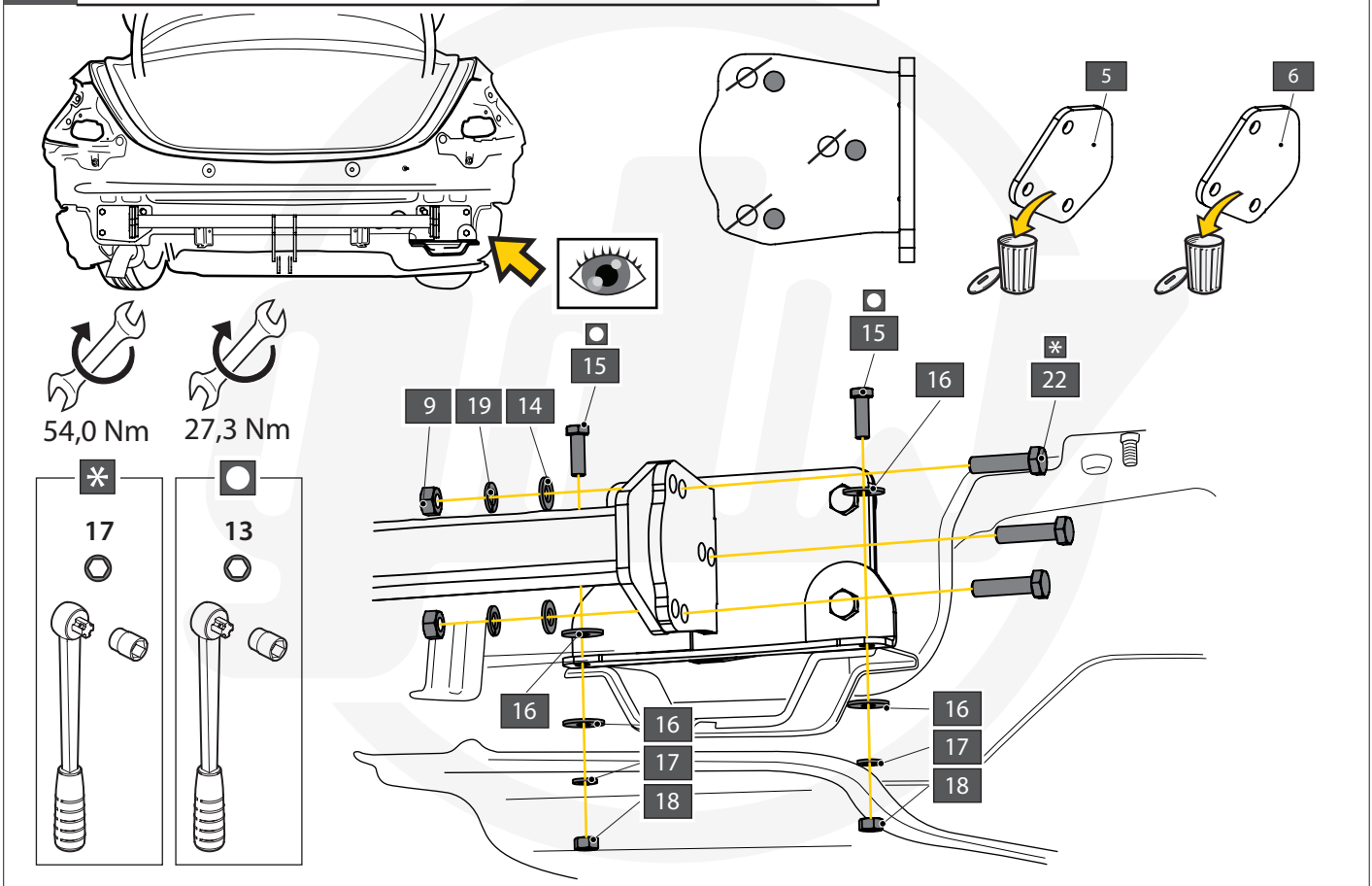
1



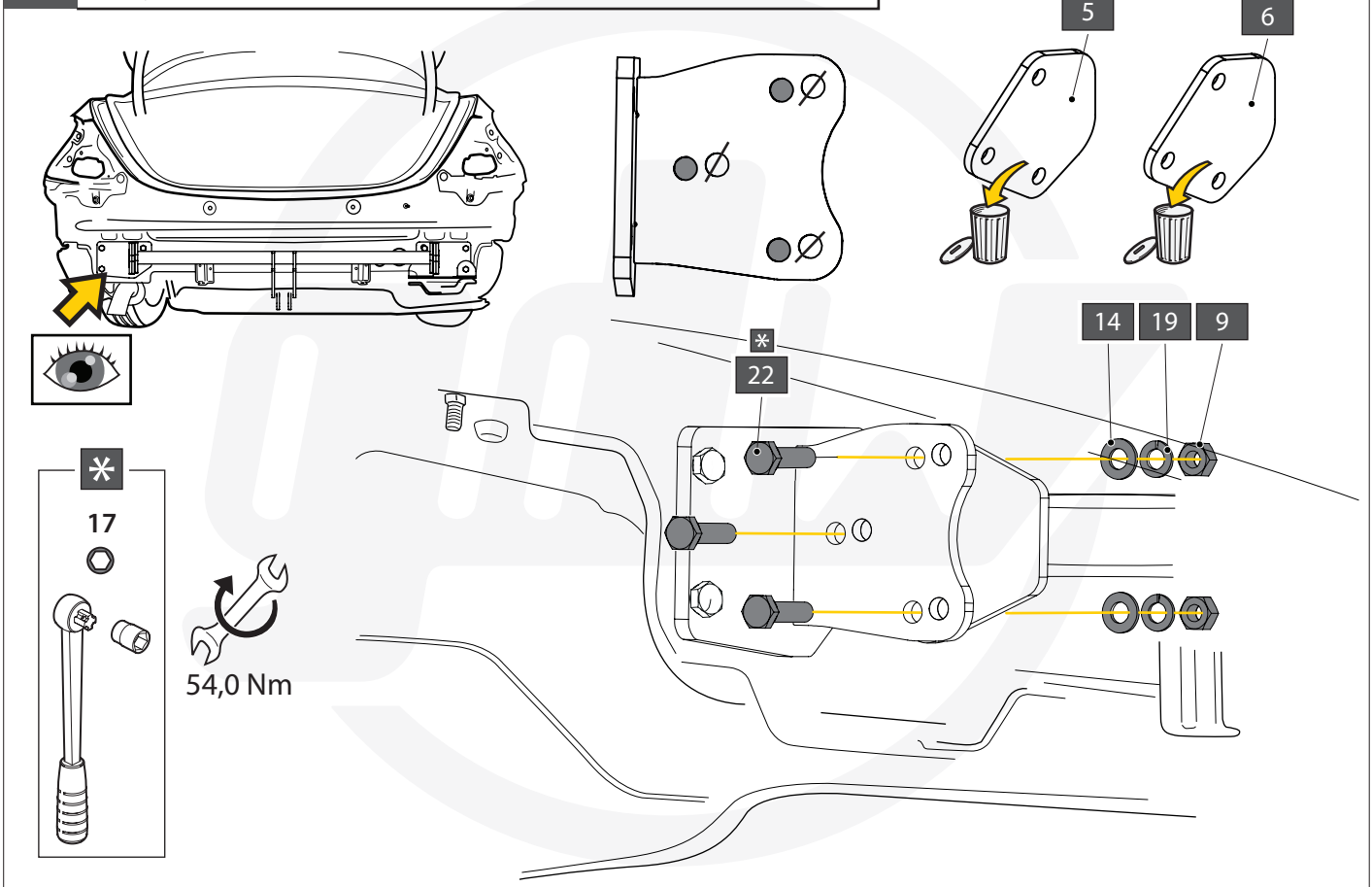
2



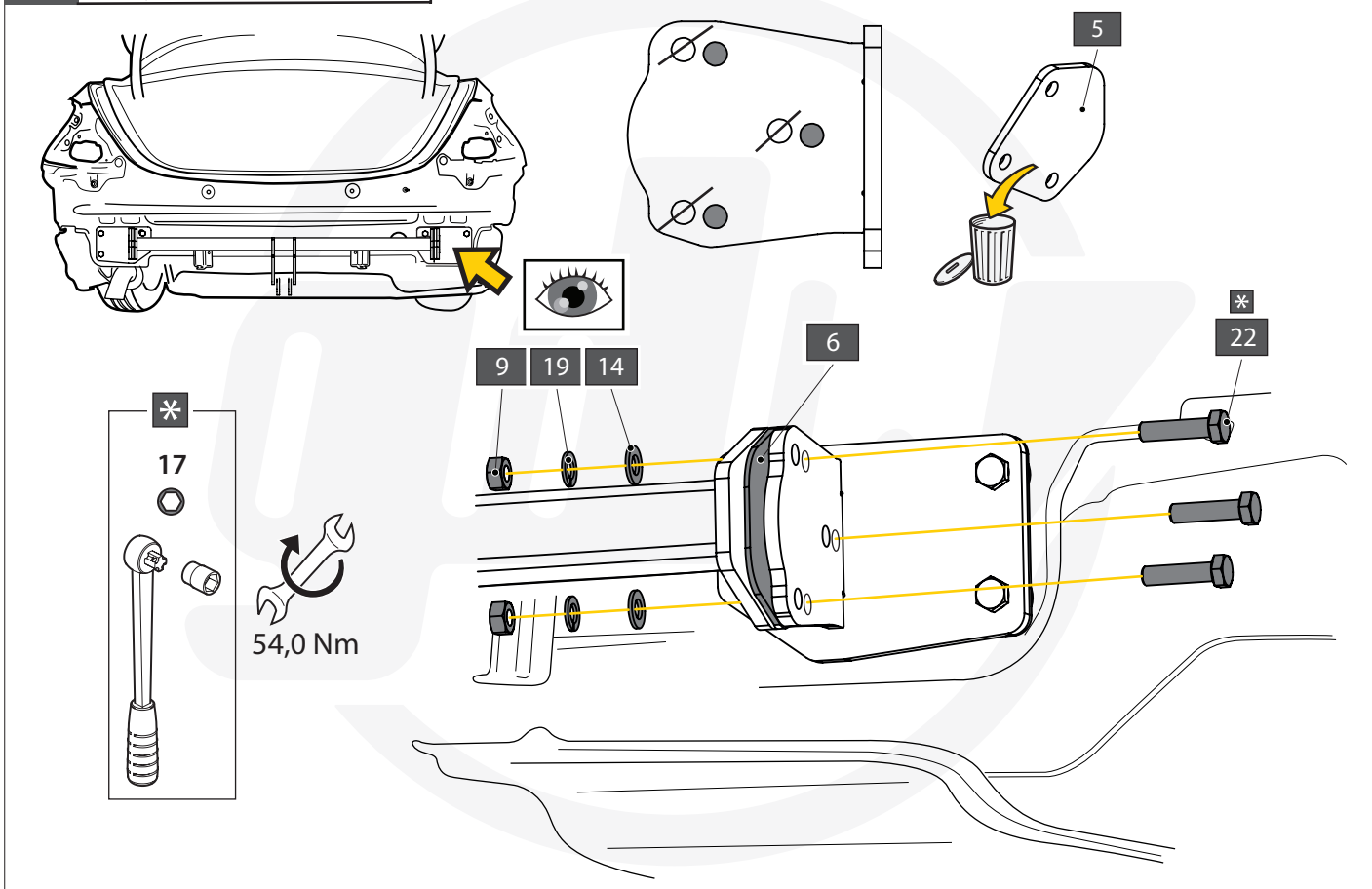
27 Only for W205/S205/A205/C205 Phase I/C238/A238



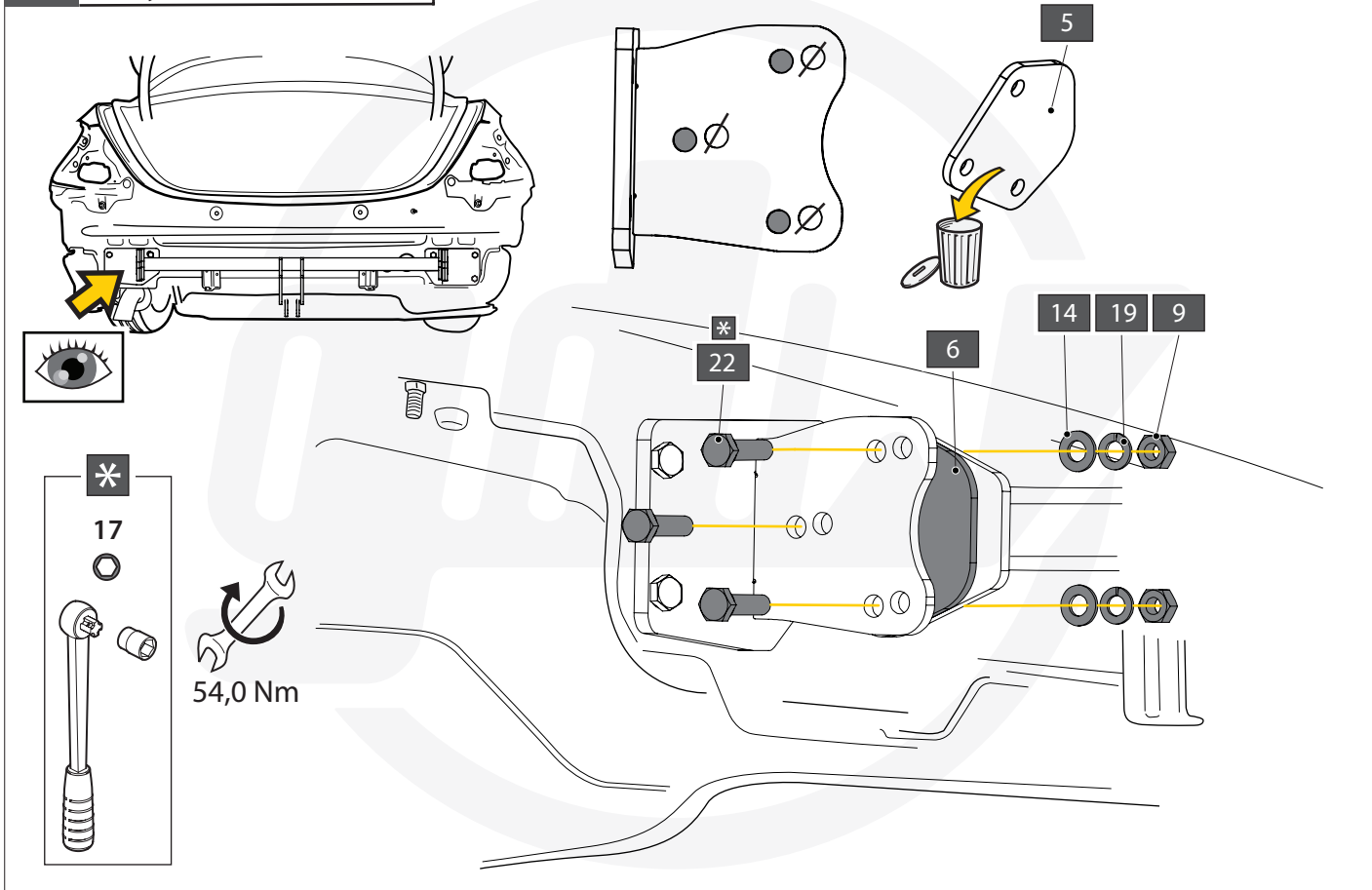
28 Only for W205/S205/A205/C205 Phase I/C238/A238



29 Only for C205 Phase II

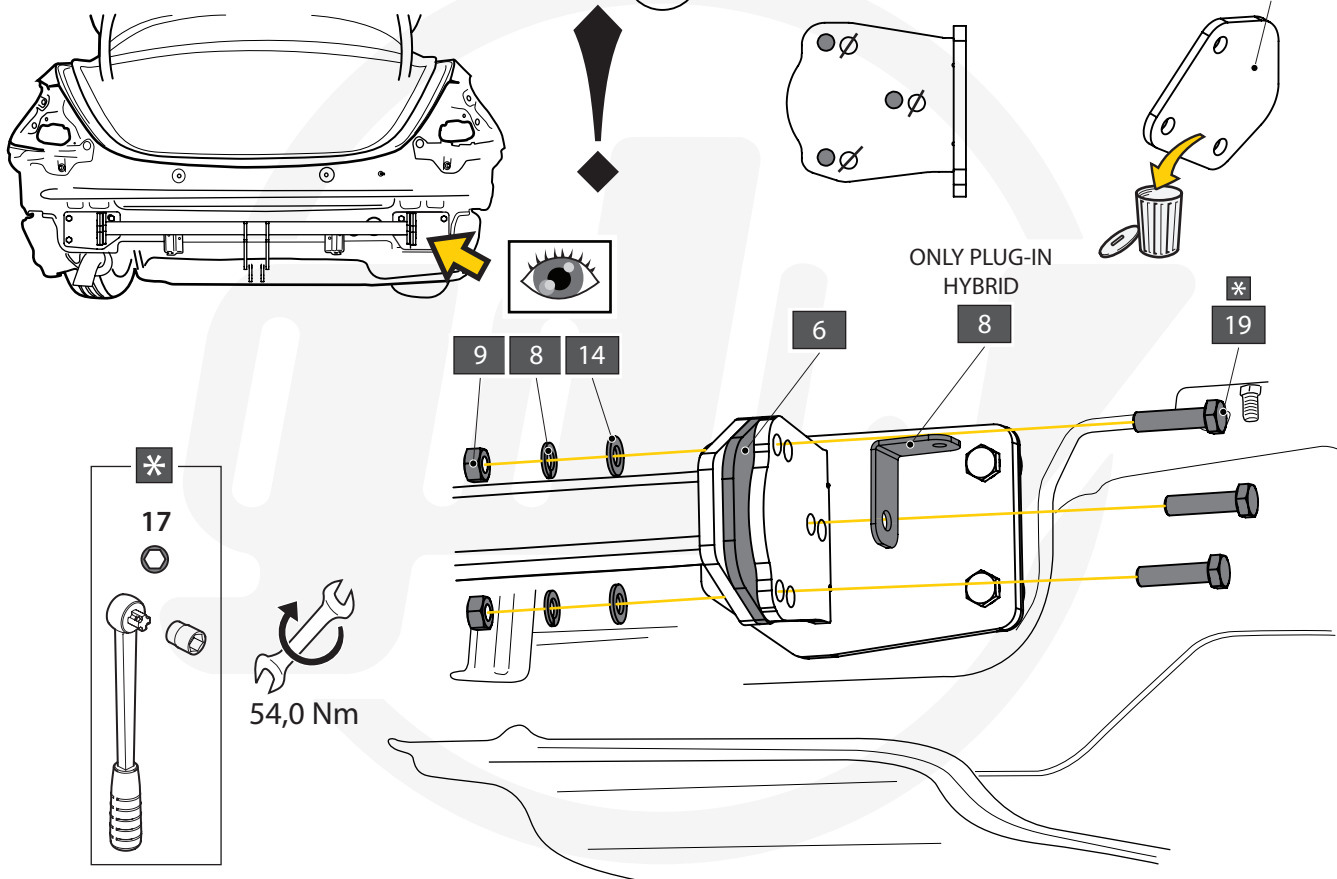


30 Only for C205 Phase II



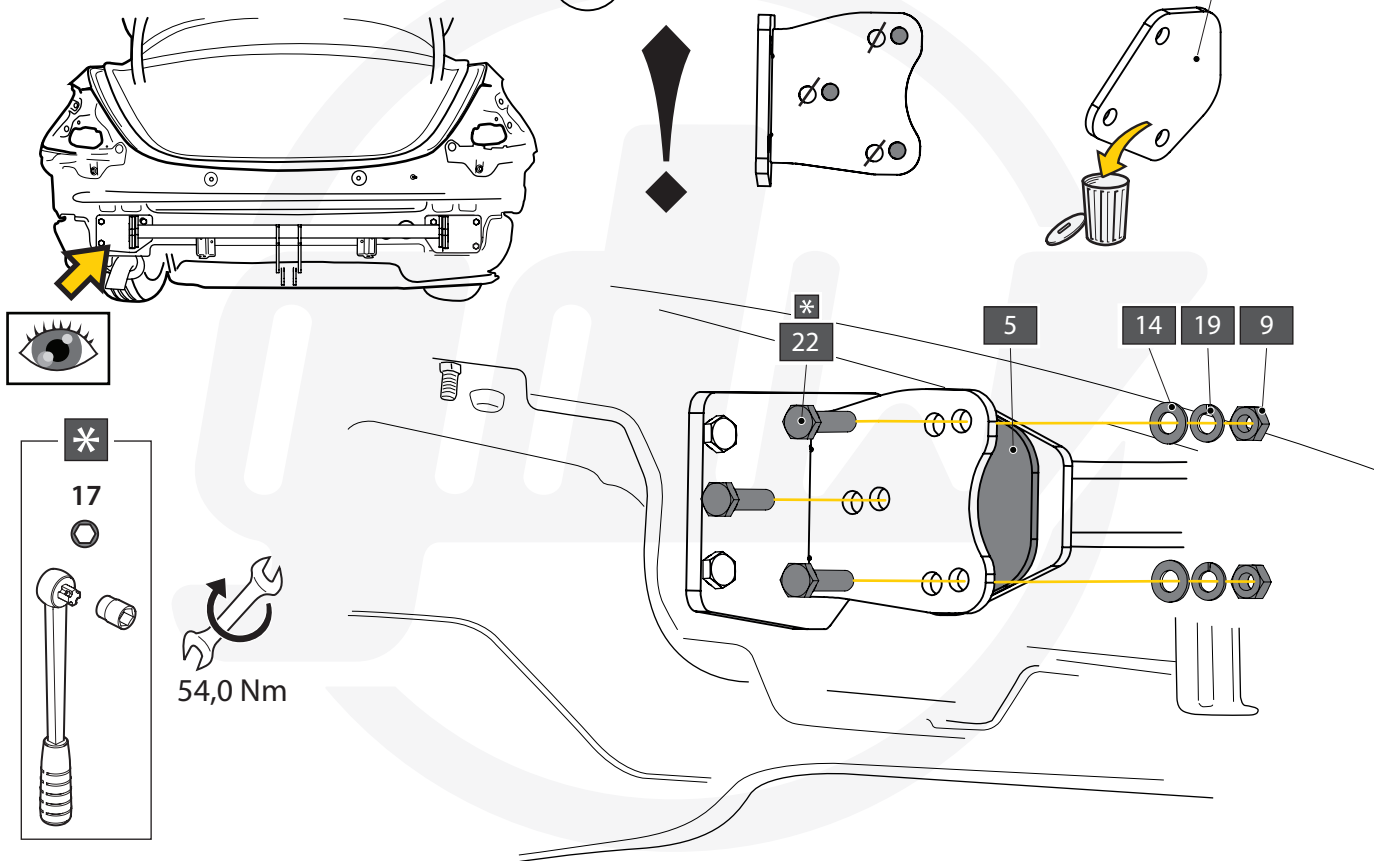
31 Only for S213

1 Standard & AMG-line



32 Only for S213

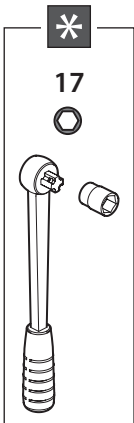
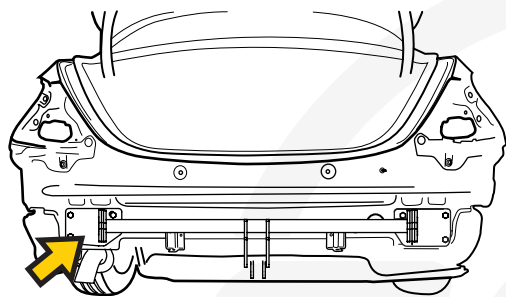
1 Standard & AMG-line



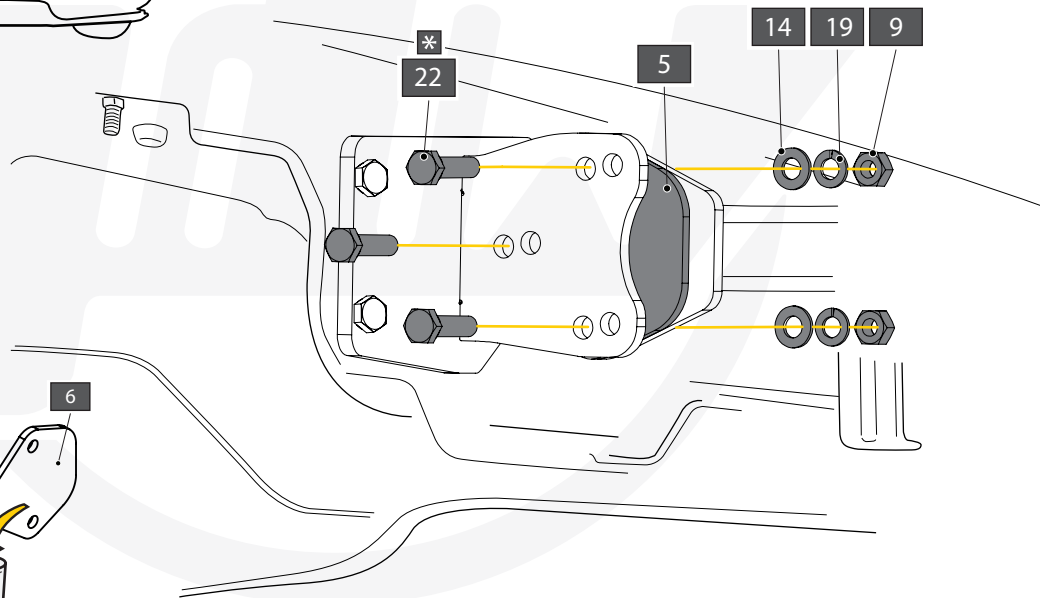
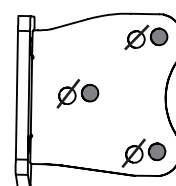
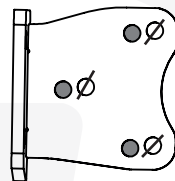
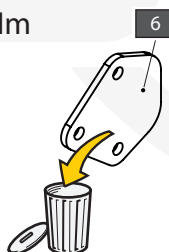
33 Only for W213

1 W213 STANDARD

2 W213 AMG-line



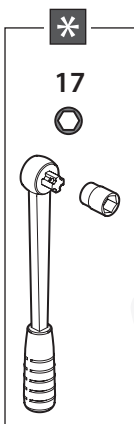
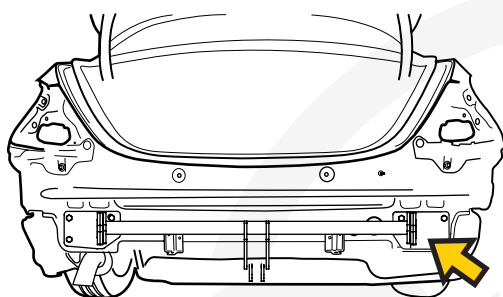
54,0 Nm



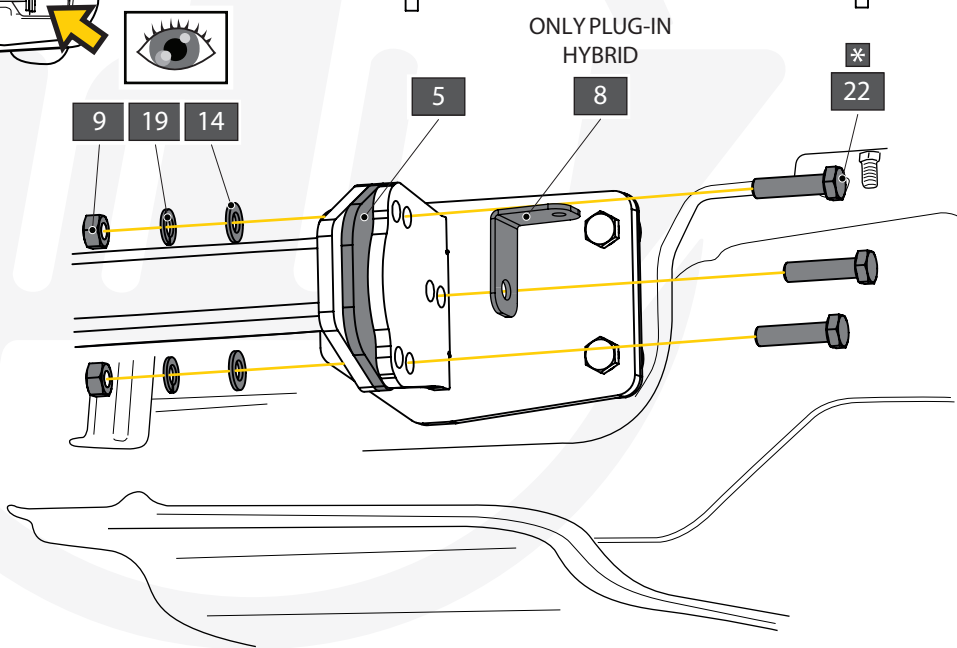
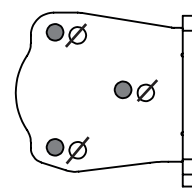
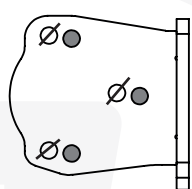
34 Only for W213

1 W213 STANDARD

2 W213 AMG-line

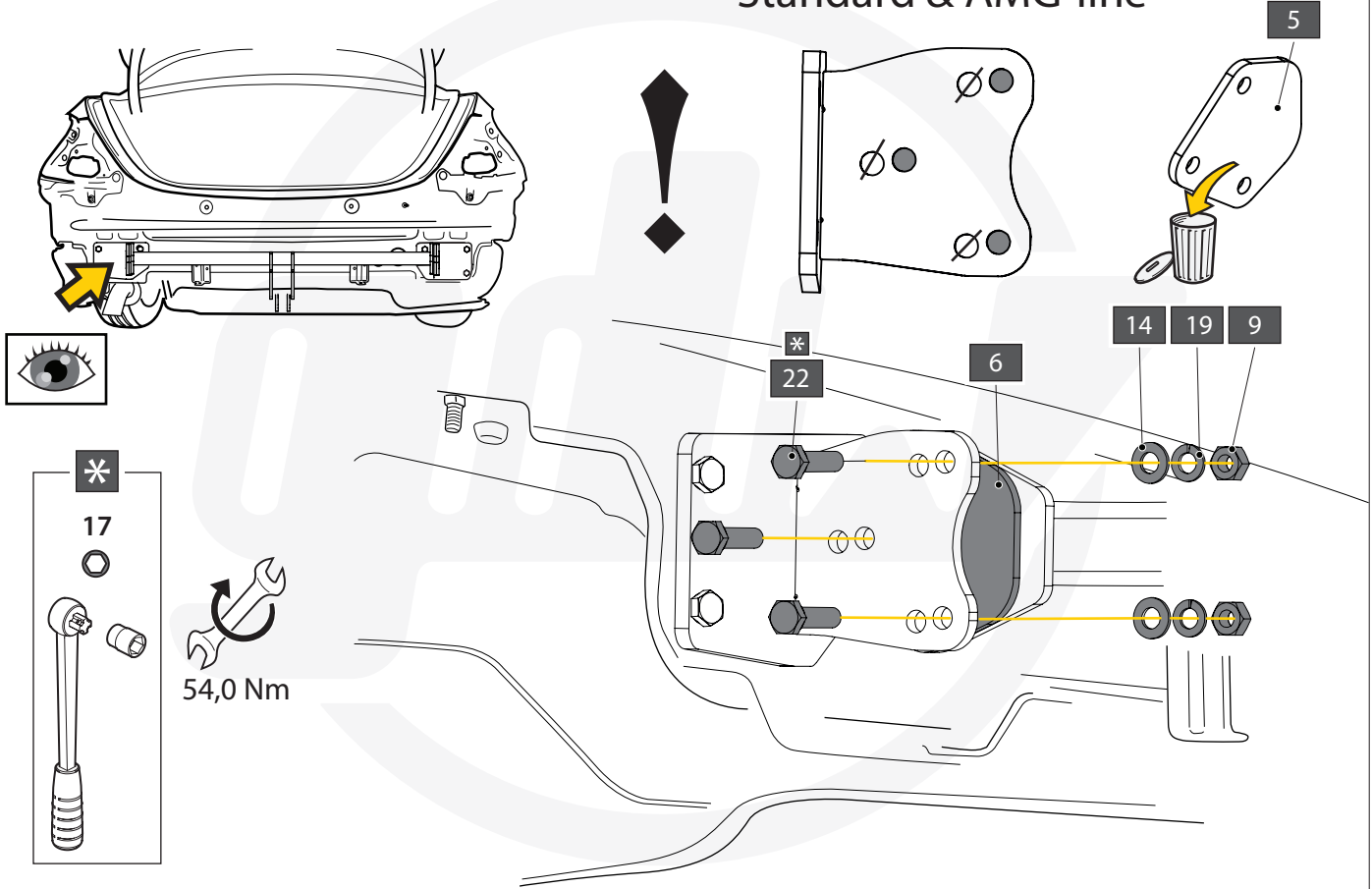


54,0 Nm



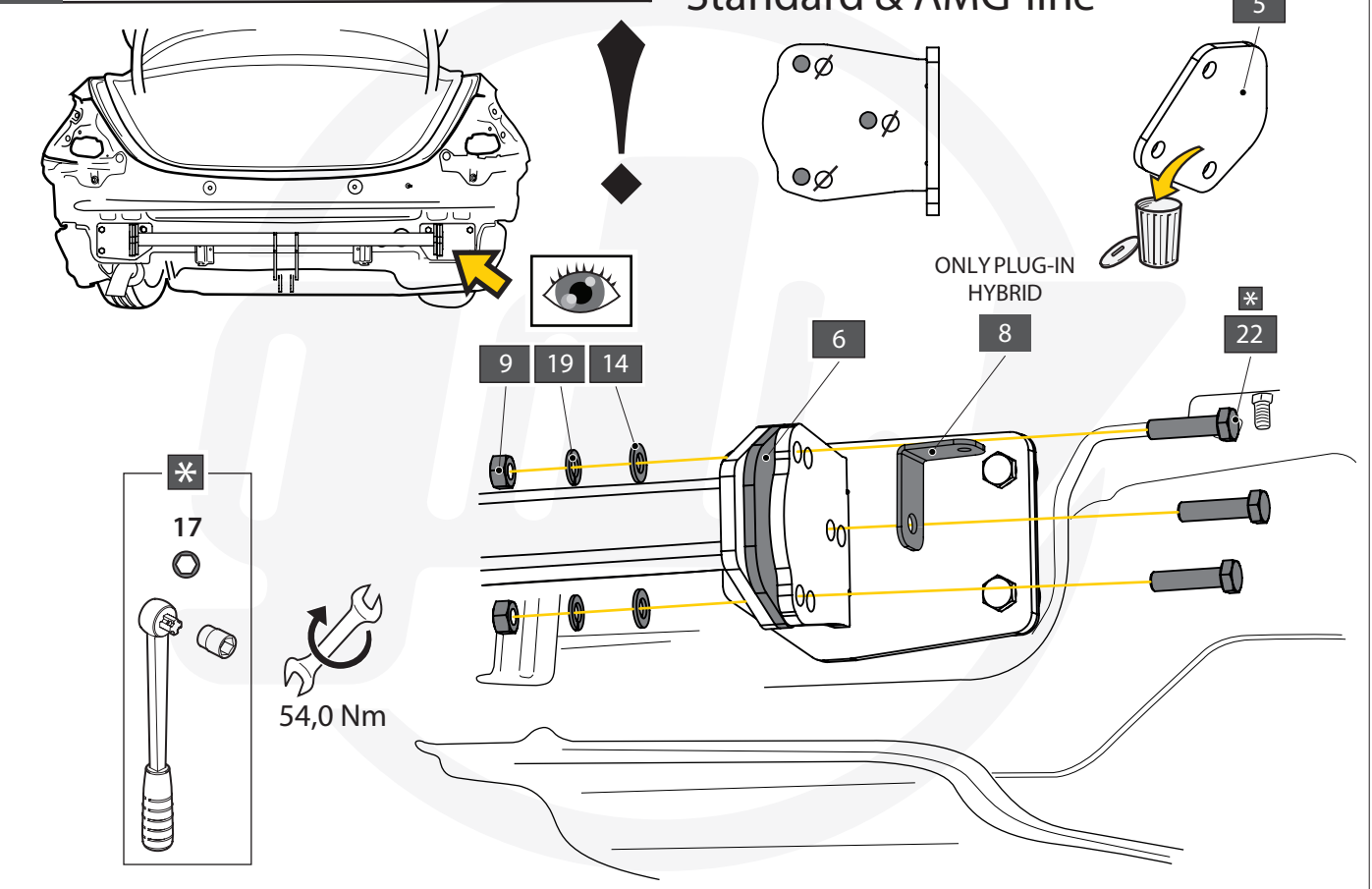
35 Only for W213 06/'20- + S213 07/'20-

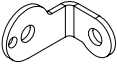




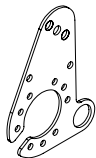

Standard & AMG-line

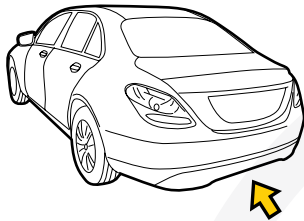
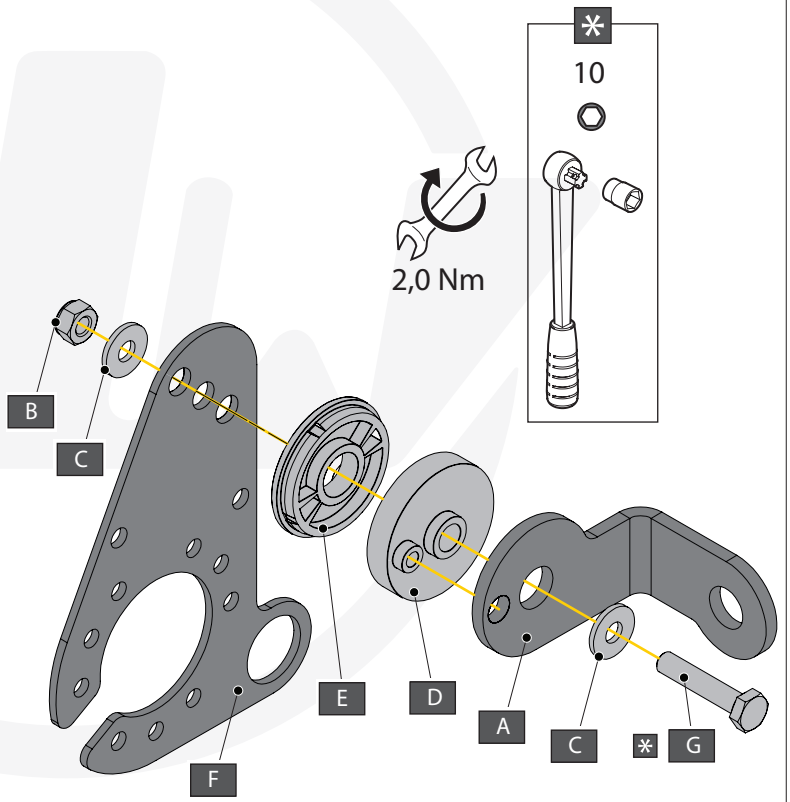


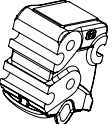




36 Only for W213 06/'20- + S213 07/'20-

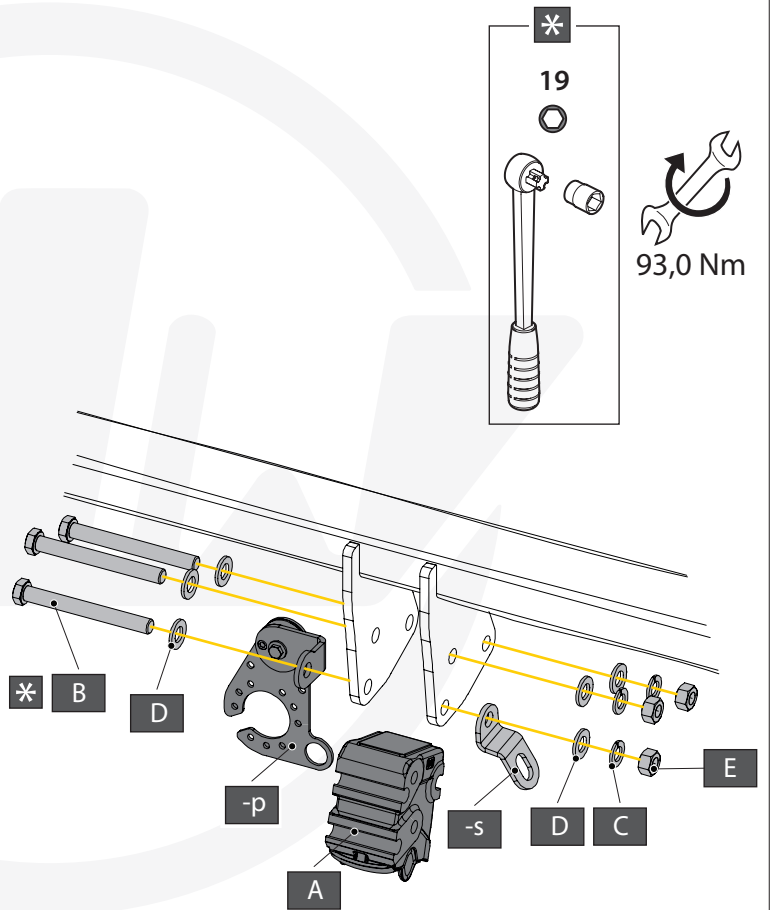
Standard & AMG-line



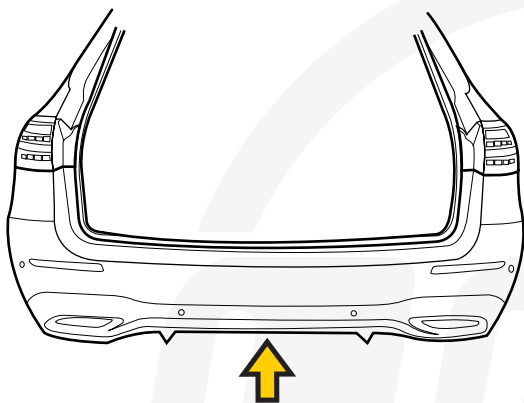
A		X1	GDW REF. 908.095
B		X1	DIN985-M6
C		X2	6,2 X 15,4 X 1,6 (NYLON)
D		X1	GDW REF. 718.16.002
E		X1	GDW REF. 718.16.003
F		X1	GDW REF. 908.094
G		X1	DIN933-M6 X 30



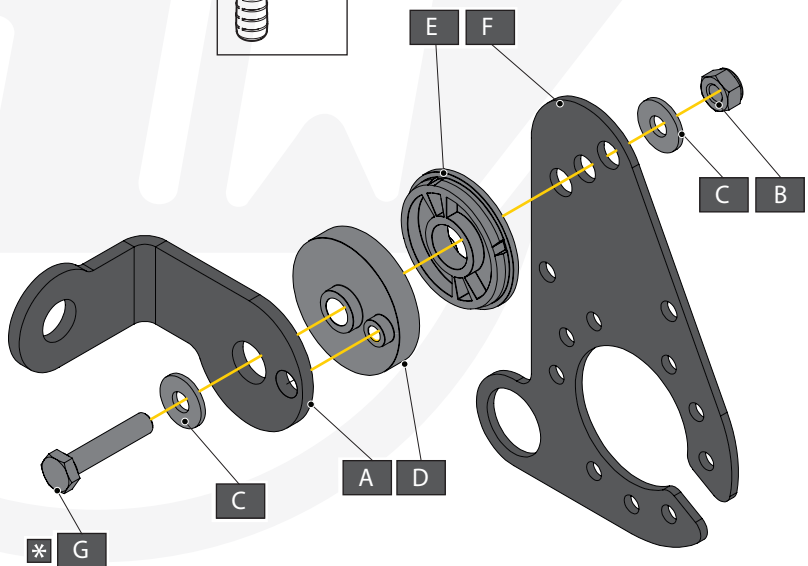
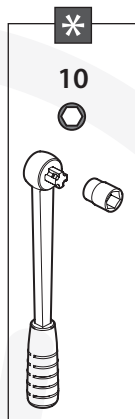
A		X1	912.003
B		X3	DIN931-M12X110
C		X6	DIN125A-M12
D		X3	DIN128A-M12
E		X3	DIN934-M12



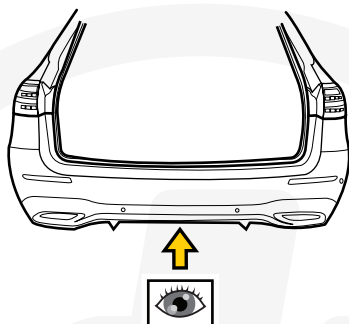
39 Only for S213 07/'20-



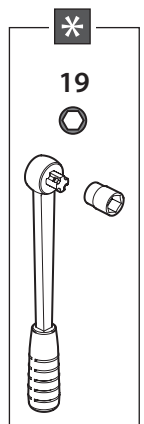
2,0 Nm



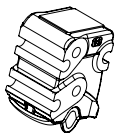
40 Only for S213 07/'20-



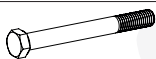
93,0 Nm



A X1 912.003



B X3 DIN931-M12X110



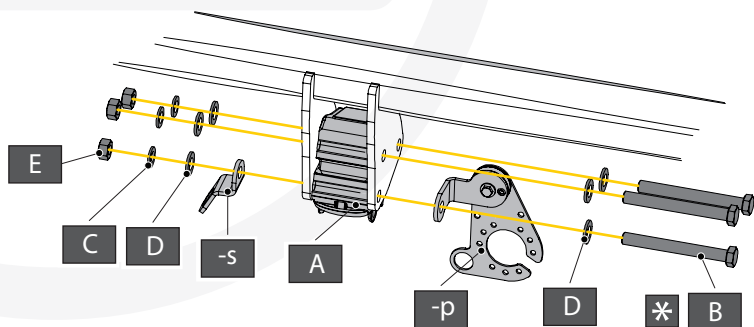
C X6 DIN125A-M12



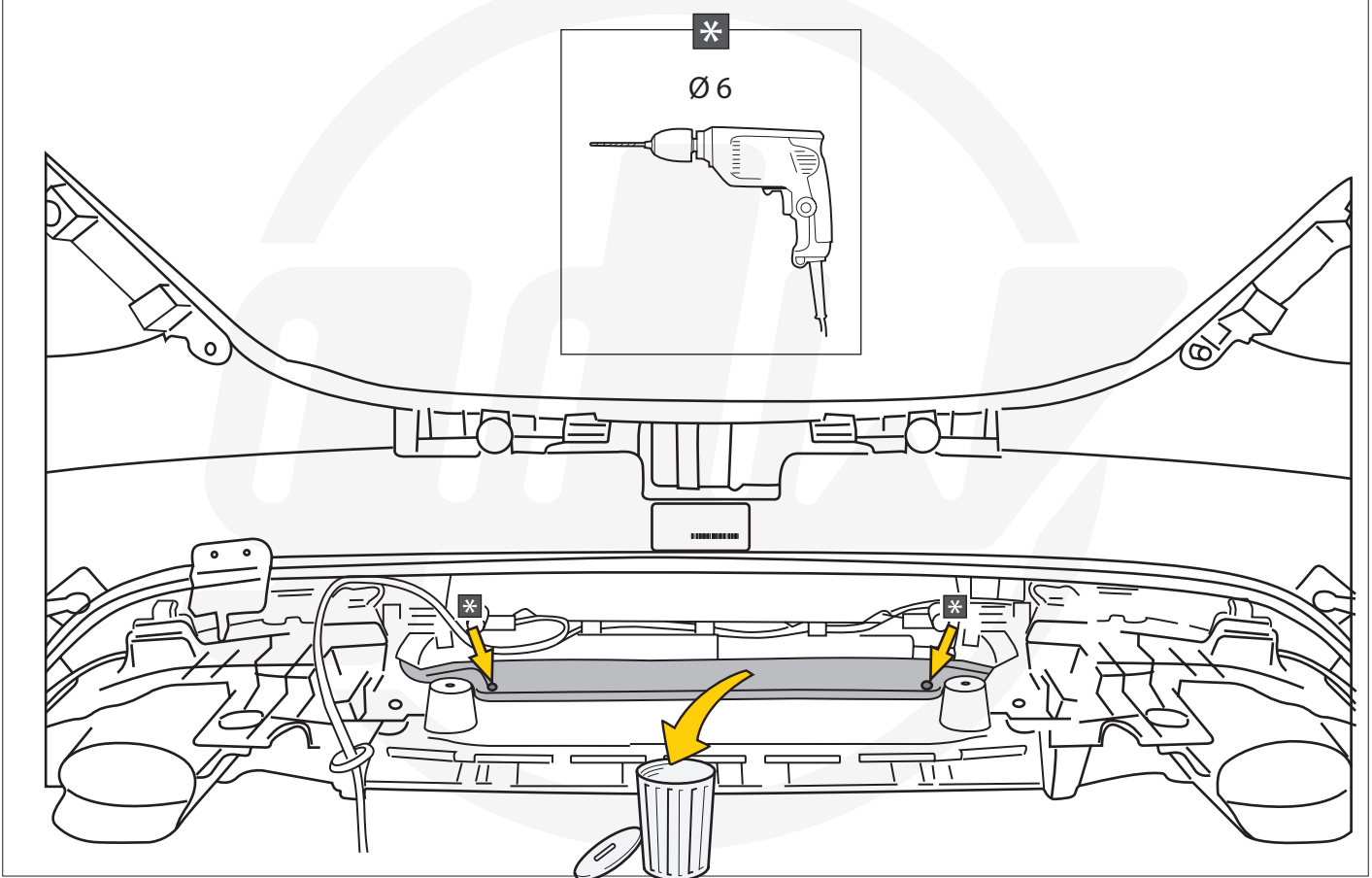
D X3 DIN128A-M12



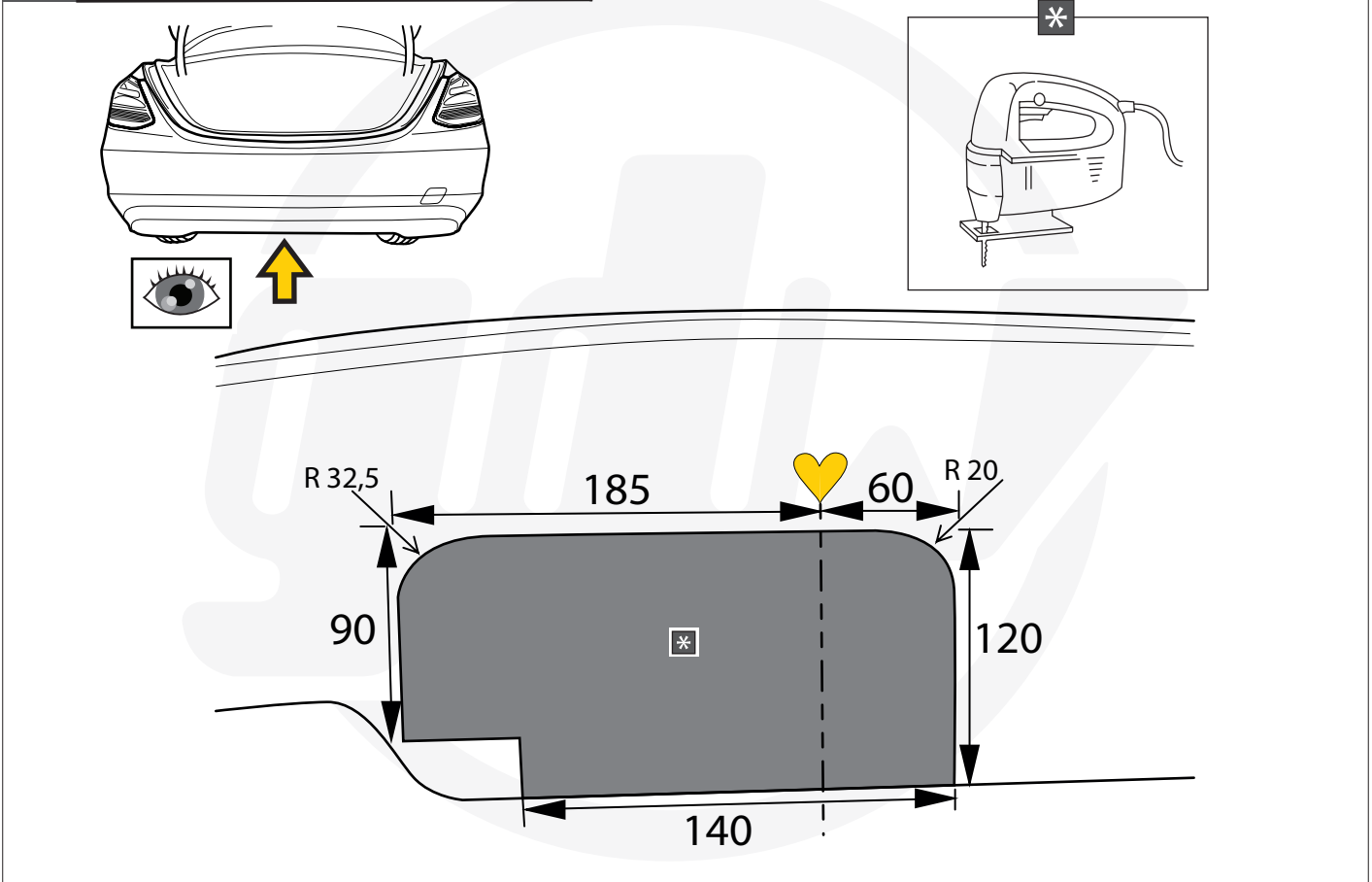
E X3 DIN934-M12



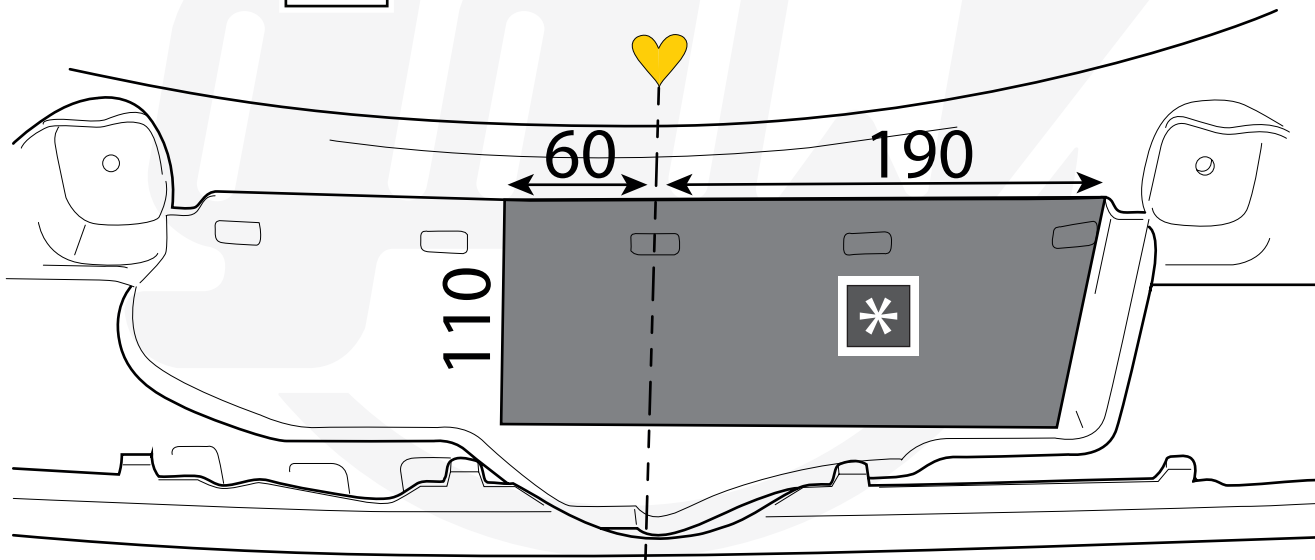
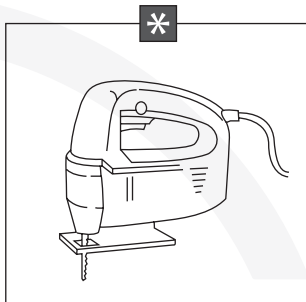
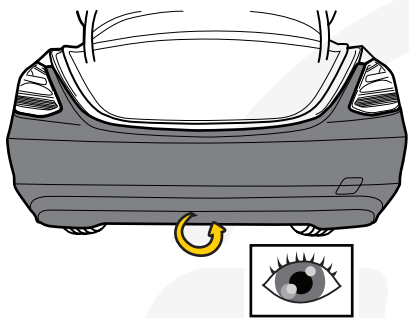
41 Only for W205, S205, A205 & C205 AMG-Line



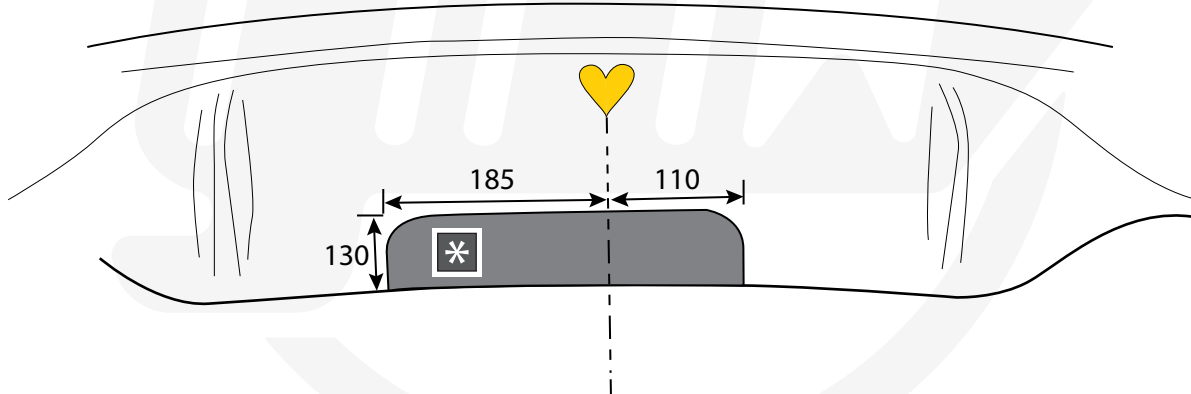
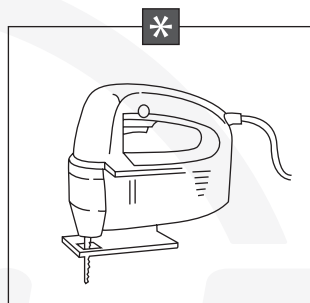
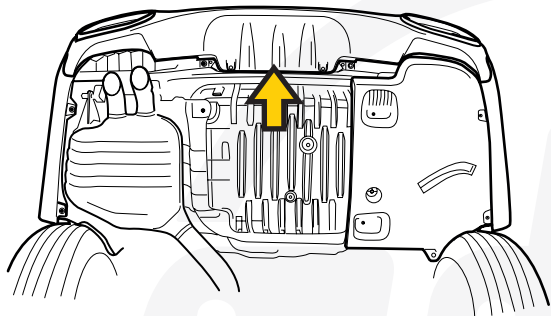
42 Only for W213 without AMG-line



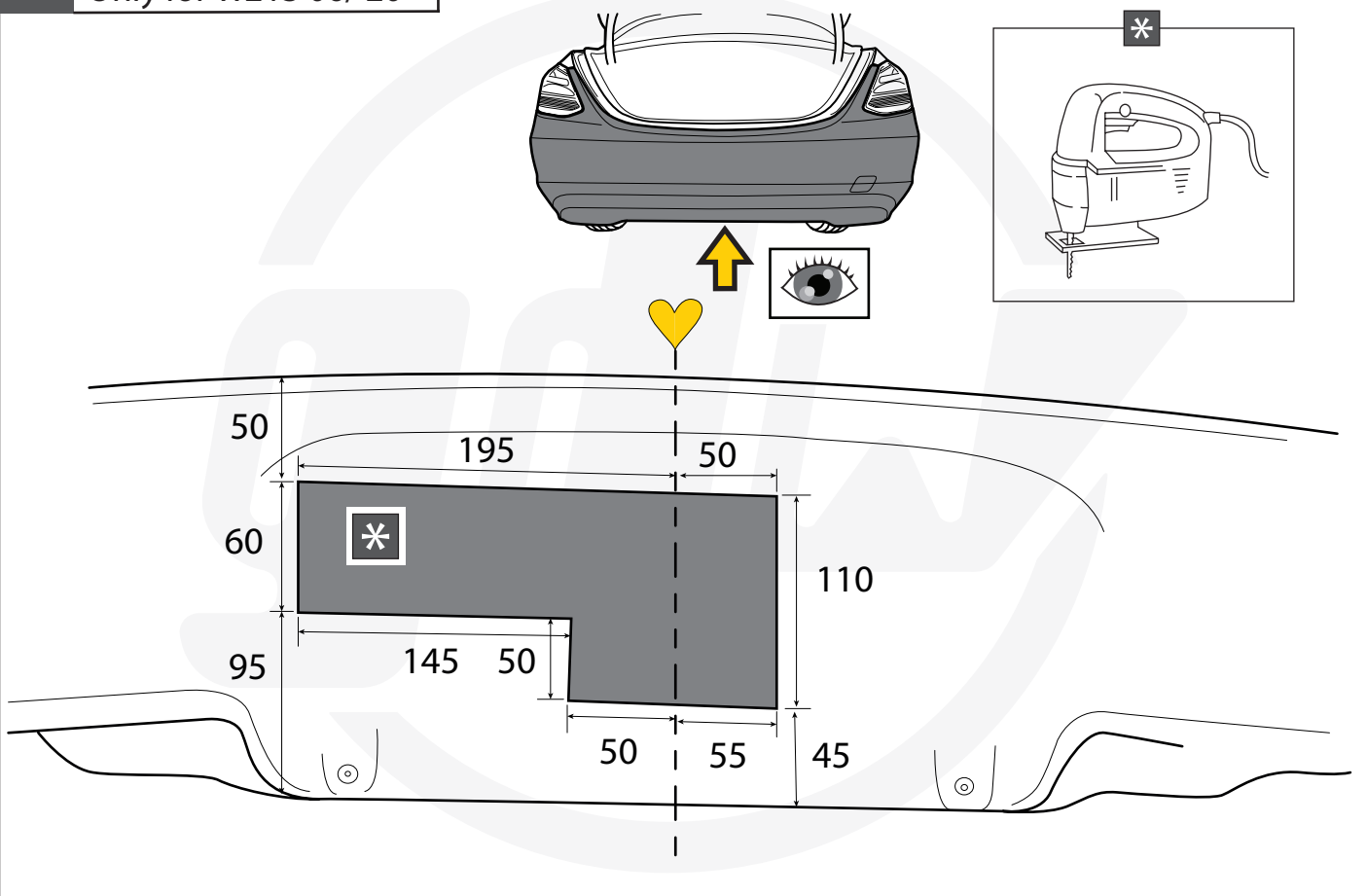
43 Only for W213 without AMG-line



44 Only for W213 with AMG-line + S213 + S213 with AMG-line



45 Only for W213 06/'20-



46 Only for S213 07/'20-

